


GAMA SONIC[®]

SOLAR LIGHTING



LUXOR STAINLESS STEEL BOLLARD SOLAR PATHWAY LIGHT WITH GROUND STAKE

Part #: 144i58070

 Please read the instruction manual carefully to obtain the best results from your purchase.

Thank you for your purchase! GAMA SONIC® solar charged lights are brighter and last all night with a typical solar charge. Unique design, superior light output and numerous installation options confirm the outstanding value of our product. GAMA SONIC® has been recognized as a worldwide leader in the lighting industry for over 20 years.

Technical Assistance/Warranty Claims/Replacement Parts
Toll Free Number: +1-800-835-4113 (only within the US) or www.gamasonic.com

Visit our website or download the latest version of your instruction manual:
www.gamasonic.com



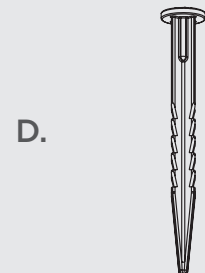
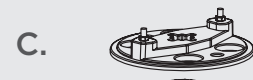
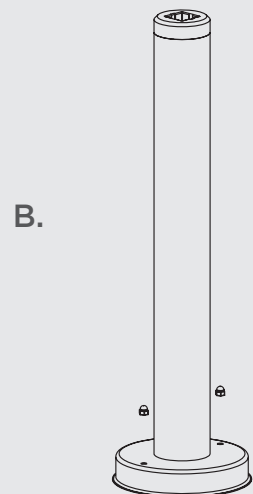
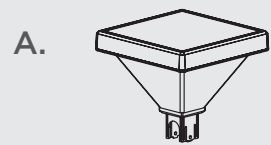
Solar Lamp Location

For optimum light duration throughout the night, it is very important to mount your solar lamp in a spot where it will receive the maximum amount of direct sunlight throughout the day.

For best results, the solar light must be charged in the “ON” (High or Low) position for at least 2 days of full direct sunlight.

What's In The Box:

- A = Top
- B = Bollard Pole
- C = Mounting Plate
- D = Stake

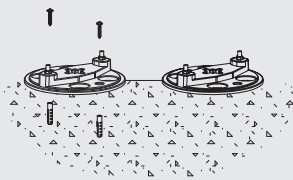


Assembly Instructions

- Remove the mounting plate (C) from the bollard pole (B) by removing the two screw caps.
- Remove the stake (D) from the mounting plate (C).

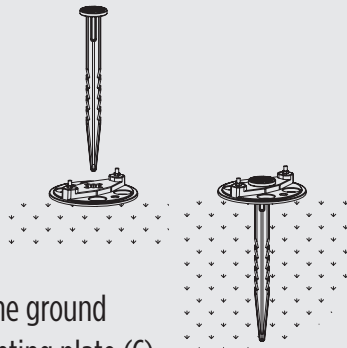
• Flat Surface Installation

- Using the mounting plate (C) as a template, mark where the two screws will need to be.
- Drill two holes no larger than the provided anchors.
- Insert the anchors into the holes and align the mounting plate (C) over the holes.
- Secure the mounting plate (C) with the provided screws.



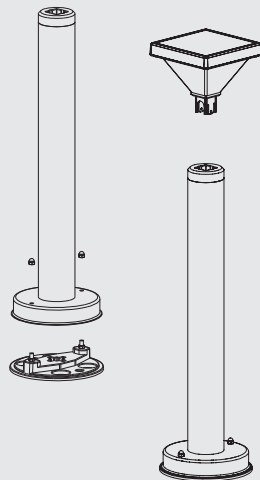
• Ground Installation

- Place the mounting plate (C) in the desired location.
- Insert the stake (D) through the center of the mounting plate (C).
- Hammer the stake (D) into the ground until it is flush with the mounting plate (C).



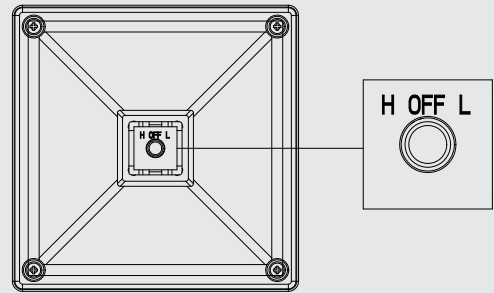
• Final Assembly

- Attach the bollard pole (B) to the mounting plate (C) and secure with the two screw caps removed earlier.
- Follow the Operation Instructions to turn your lamp on in your desired setting.
- Insert the top (A) into the top of the bollard pole (B). The top (A) should click into place.



Operation Instructions

1. Locate the Operation Switch on the underside of the top (A).
2. Move the switch to one of the following settings according to your preferences:
 - a. H (high) = Brighter light output
 - b. L (low) = Softer light and longer duration
3. The lamp will automatically operate at dusk.



Replacement Parts

Replacement Batteries are available at www.gamasonic.com or via our Toll Free number: +1-800-835-4113.

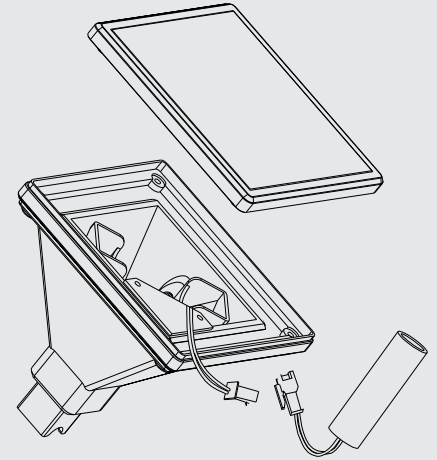
Your lamp uses the following battery:

GS32V15



After several years of use, the battery may need replacing.

1. Remove the top (A) from the bollard pole (B) by pulling up.
2. Move the operation switch to the OFF position.
3. Remove the four screws on the underside of the top (A) and remove the clear cover.
4. Lift the solar panel from the assembly.
5. Unclip and remove the battery from the assembly.
6. Make sure the new battery is a Gama Sonic 3.2V/1500mAh Li-Ion Rechargeable battery with matching connector (Item# GS32V15).
7. Clip in the new battery and secure it in the assembly.
8. Reverse steps 1-4 to reassemble your lamp.



Batteries are available for purchase at www.gamasonic.com

MAINTENANCE

Clean the solar panels regularly with a damp towel to guarantee optimum performance. Do not use any type of solvent for cleaning and be careful not to put too much pressure on the solar panels while cleaning.

TROUBLESHOOTING

If your solar light does not come on as expected despite observance of all the instructions, please try the following steps:

1. Make sure that the solar lamp is not being affected by any other light source.
2. Ensure the solar lamp is not positioned in the shade during the day.
3. Check that the batteries are installed correctly.

NOTE: The performance of the solar lamp will vary with the time of year. It will last longer when it has had a full day in the sun rather than a day in overcast weather.



WINTERTIME TIPS: For optimal performance, be sure to remove any snow or debris accumulation from solar panel(s). A solar panel free of debris will charge the batteries much more efficiently.



WARNING: Please keep out of reach of children. Do not dispose of Li-Ion battery in the regular trash, municipal waste stream or by fire as batteries may leak or explode. Do not open, short circuit, or mutilate batteries as injury may occur. Preserve our environment by recycling Li-Ion batteries or disposing of them in accordance with local, state and federal regulations. Do not mix old and new batteries.