

GAMA SONIC[®]

SOLAR LIGHTING



LUXOR SOLAR POST CAP LIGHT – 2 PK

Part #: 144iP2500KIT, 144iP2502KIT

 Please read the instruction manual carefully to obtain the best results from your purchase.

Thank you for your purchase! GAMA SONIC® solar charged lights are brighter and last all night with a typical solar charge. Unique design, superior light output and numerous installation options confirm the outstanding value of our product. GAMA SONIC® has been recognized as a worldwide leader in the lighting industry for over 20 years.

Technical Assistance/Warranty Claims/Replacement Parts
Toll Free Number: +1-800-835-4113 (only within the US) or www.gamasonic.com

Visit our website or download the latest version of your instruction manual:
www.gamasonic.com



3 Mounting Options In One Box

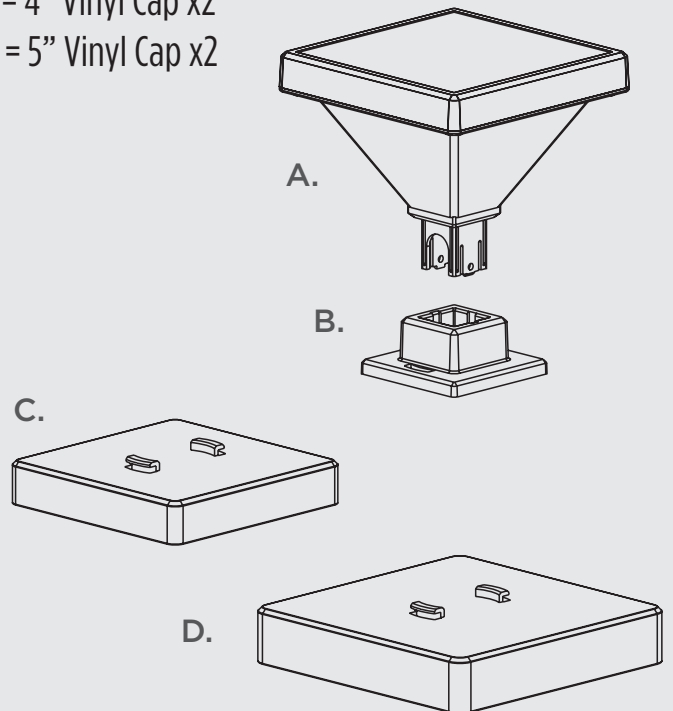
Gama Sonic's Luxor Solar Post Cap Light Kit allows you to mount your lamp on virtually any fence post. The flat mount allows you to mount the lamp on any flat surface while the 4" and 5" caps allow you to mount the lamp directly to a vinyl fence post for a seamless look.

Solar Lamp Location

For optimum light duration throughout the night, it is very important to mount your solar lamp in a spot where it will receive the maximum amount of direct sunlight throughout the day.

What's In the Box

- A = Solar Lamp x2
- B = Flat Mount x2
- C = 4" Vinyl Cap x2
- D = 5" Vinyl Cap x2

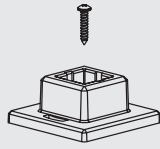


For best results, the solar light must be charged in the "ON" (High or Low) position for at least 2 days of full direct sunlight.

Assembly Instructions

Flat Mount Installation

- Place the flat mount bracket (B) in your desired mounting location.
- Attach it using the provided screw/anchor in the center of the flat mount (B).

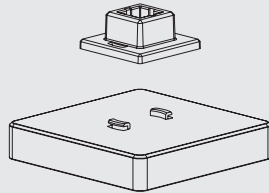


4"/5" Vinyl Cap Installation

- Attach the 4" or 5" cap (C or D) to your post using an adhesive.

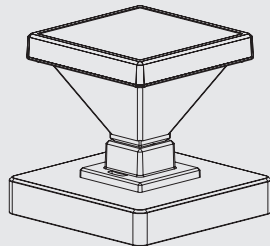
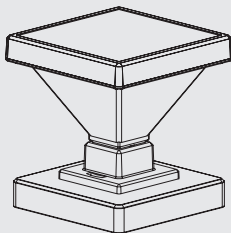
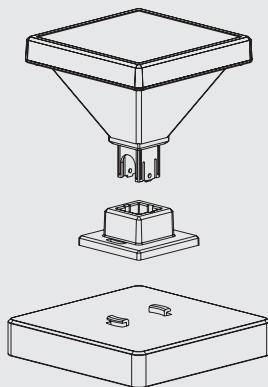
NOTE: Refer to your posts manufacturers recommendations for the specific type of adhesive to use.

- Attach the flat mount bracket (B) to the vinyl cap (C or D) by twisting it clockwise on to the cap until you hear it click.



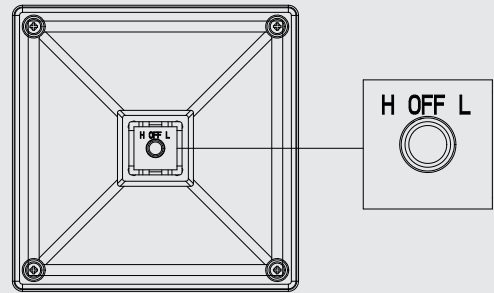
Installing The Light

- Follow the Operation Instructions to turn the solar lamp (A) on.
- Insert the solar lamp (A) into the flat mount bracket (B) and push it down until it clicks.
- Repeat the installation steps for your other light.



Operation Instructions

- Locate the operation switch at the base of the solar lamp (A).
- Move the operation switch to one of the following settings according to your preferences:
 - High = Brighter light output.
 - Low = Softer light and longer duration.
- The solar lamp will automatically operate at dusk.



Replacement Parts

Replacement Batteries are available at www.gamasonic.com or via our Toll Free number: +1-800-835-4113.

Each of your lamps uses the following battery:

GS32V15



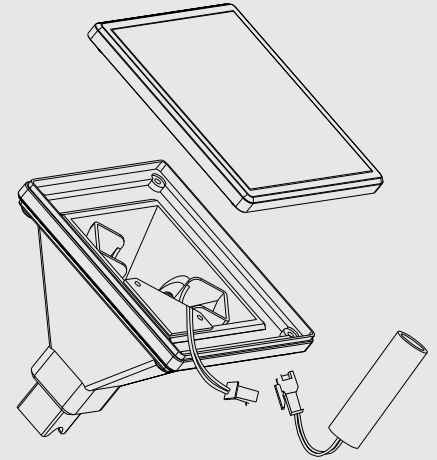
Replacing the Batteries

(each lamp head has its own set of batteries)

GAMA SONIC®
SOLAR LIGHTING

After several years of use, the battery may need replacing.

1. Remove the top (A) from the flat mount bracket (B) by pulling up.
2. Move the operation switch to the OFF position.
3. Remove the four screws on the underside of the top (A) and remove the clear cover.
4. Lift the solar panel from the assembly.
5. Unclip and remove the battery from the assembly.
6. Make sure the new battery is a Gama Sonic 3.2V/1500mAh Li-Ion Rechargeable battery with matching connector (Item# GS32V15).
7. Clip in the new battery and secure it in the assembly.
8. Reverse steps 1-4 to reassemble your lamp.



Batteries are available for purchase at www.gamasonic.com

MAINTENANCE

Clean the solar panels regularly with a damp towel to guarantee optimum performance. Do not use any type of solvent for cleaning and be careful not to put too much pressure on the solar panels while cleaning.

TROUBLESHOOTING

If your solar light does not come on as expected despite observance of all the instructions, please try the following steps:

1. Make sure that the solar lamp is not being affected by any other light source.
2. Ensure the solar lamp is not positioned in the shade during the day.
3. Check that the batteries are installed correctly.

NOTE: The performance of the solar lamp will vary with the time of year. It will last longer when it has had a full day in the sun rather than a day in overcast weather.



WINTERTIME TIPS: For optimal performance, be sure to remove any snow or debris accumulation from solar panel(s). A solar panel free of debris will charge the batteries much more efficiently.



WARNING: Please keep out of reach of children. Do not dispose of Li-Ion battery in the regular trash, municipal waste stream or by fire as batteries may leak or explode. Do not open, short circuit, or mutilate batteries as injury may occur. Preserve our environment by recycling Li-Ion batteries or disposing of them in accordance with local, state and federal regulations. Do not mix old and new batteries.