

GAMA SONIC®

SOLAR LIGHTING



**CONTEMPORARY SQUARE SOLAR
POST LIGHT**

Part #: 217i20012

 Please read the instruction manual carefully to obtain the best results from your purchase.

Thank you for your purchase! GAMA SONIC® solar charged lights are brighter and last all night with a typical solar charge. Unique design, superior light output and numerous installation options confirm the outstanding value of our product. GAMA SONIC® has been recognized as a worldwide leader in the lighting industry for over 20 years.

Technical Assistance/Warranty Claims/Replacement Parts
Toll Free Number: +1-800-835-4113 (only within the US) or www.gamasonic.com

Visit our website or download the latest version of your instruction manual:
www.gamasonic.com



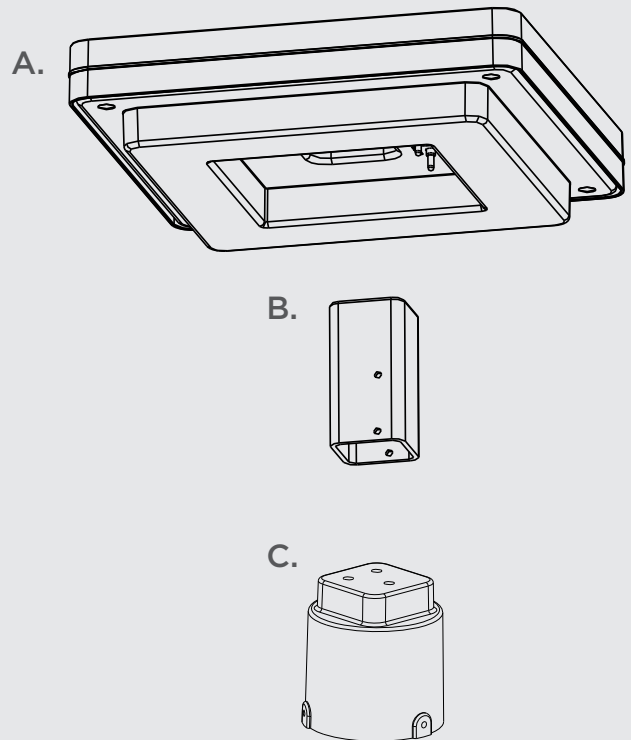
Solar Lamp Location

For optimum light duration throughout the night, it is very important to mount your solar lamp in a spot where it will receive the maximum amount of direct sunlight throughout the day.

For best results, the solar light must be charged in the “ON” (High or Low) position for at least 2 days of full direct sunlight.

What's In The Box

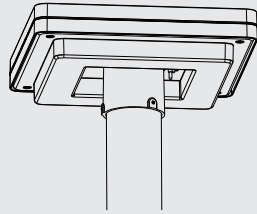
A = Top
B = 3" Fitter
C = Modern Pole Mount
(only compatible with MP8F0 pole)



Assembly Instructions

Center Mount

- Using the included 5mm wrench, remove the three screws from the center mount location and use them to secure either the 3" fitter mount (B) or the modern pole mount (C).



NOTE: The modern pole mount (C) is only compatible with Gama Sonic 8ft Modern Pole (part# MP8F0).

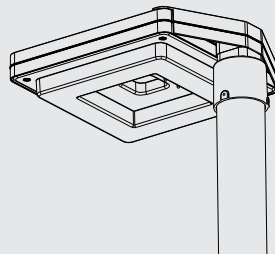
- Using the included 4mm hex wrench, remove the four screws holding on the side mount bracket.
- Re-install the screws into the holes after the bracket has been removed.
- If mounting with the 3" fitter mount (B) place the lamp over a 3" post and secure it using the supplied set screws.

NOTE: Do not over tighten the screws.

- If using the modern pole mount (C) follow the instructions included with part# MP8F0.
- Follow the Operation Instructions to turn on your light.

Side Mount

- Using the included 5mm wrench, remove the three screws from the center mount location and use them to secure either the 3" fitter mount (B) or the modern pole mount (C).



NOTE: The modern pole mount (C) is only compatible with Gama Sonic 8ft Modern Pole (part# MP8F0).

- If mounting with the 3" fitter mount (B) place the lamp over a 3" post and secure it using the supplied set screws.

NOTE: Do not over tighten the screws.

- If using the modern pole mount (C) follow the instructions included with part# MP8F0.
- Follow the Operation Instructions to turn on your light.

NOTE: If you are replacing an existing gas/electric post light, you must consult a certified technician to disconnect them before installation.

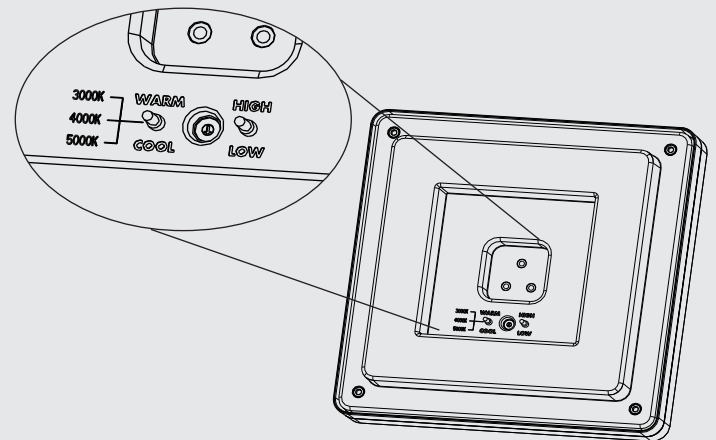
Operation Instructions

Turning the lamp on

- Move the operation switch to your desired preference:
 - High = Brighter light output
 - Low = Softer light and longer duration
- Move the color temperature to your desired preference:
 - Warm = 3000K warm white
 - Middle = 4000K natural white
 - Cool = 5000K bright white

Timer Switch

- Using a small flathead screwdriver, turn the arrow to one of the following settings:
 - 0 = Dusk to Dawn operation
 - 4,5,6,7,8 = The number of hours the lamp will operate from Dusk.
- If a number other than 0 is selected, the lamp will operate for that many hours from dusk and will then turn off for the remainder of the night.
- Your lamp will operate automatically at dusk.



Replacement Parts

Replacement Batteries are available at www.gamasonic.com or via our Toll Free number: +1-800-835-4113.

Your lamp uses one of the following battery and can accommodate a second optional battery:

GS32V15A



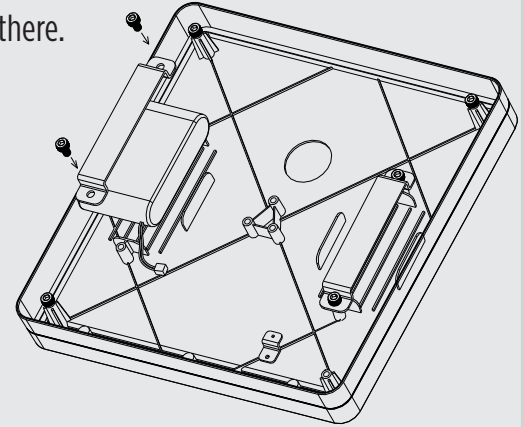
Replacing the Battery

GAMA SONIC®
SOLAR LIGHTING

After several years of use, the battery may need replacing.

This lamp has a second battery compartment that can accommodate an optional battery. A second battery can be added to increase duration only if your lamp receives more than 4 hours of direct sunlight each day. Follow the below instructions to add a second battery.

1. Remove your lamp from the pole and move the operation switch to the OFF position.
2. Remove the mounting bracket (B or C) from the center mount position if located there.
3. Remove the four 5mm screws and separate the bottom portion of the lamp from the rest of the top (A).
4. Remove the two screws holding down the bracket over the battery.
5. Un clip and remove the battery.
6. Make sure the new battery is a 3.2V/15000mAh rechargeable Li-Ion Battery with matching connector (part# GS32V15A).
7. Clip in the new battery and secure the battery with the bracket and screws.
8. Re-assemble your lamp by reversing steps 1-3.



Batteries are available for purchase at www.gamasonic.com

MAINTENANCE

Clean the solar panels regularly with a damp towel to guarantee optimum performance. Do not use any type of solvent for cleaning and be careful not to put too much pressure on the solar panels while cleaning.

TROUBLESHOOTING

If your solar light does not come on as expected despite observance of all the instructions, please try the following steps:

1. Make sure that the solar lamp is not being affected by any other light source.
2. Ensure the solar lamp is not positioned in the shade during the day.
3. Check that the batteries are installed correctly.

NOTE: The performance of the solar lamp will vary with the time of year. It will last longer when it has had a full day in the sun rather than a day in overcast weather.



WINTERTIME TIPS: For optimal performance, be sure to remove any snow or debris accumulation from solar panel(s). A solar panel free of debris will charge the batteries much more efficiently.



WARNING: Please keep out of reach of children. Do not dispose of Li-Ion battery in the regular trash, municipal waste stream or by fire as batteries may leak or explode. Do not open, short circuit, or mutilate batteries as injury may occur. Preserve our environment by recycling Li-Ion batteries or disposing of them in accordance with local, state and federal regulations. Do not mix old and new batteries.