


GAMA SONIC®

SOLAR LIGHTING



Emergency and Camping Solar Flashlight with USB Charging Port

Part #: 23i60065

 Please read the instruction manual carefully to obtain the best results from your purchase.

Thank you for your purchase! GAMA SONIC® solar charged lights are brighter and last all night with a typical solar charge. Unique design, superior light output and numerous installation options confirm the outstanding value of our product. GAMA SONIC® has been recognized as a worldwide leader in the lighting industry for over 20 years.

Technical Assistance/Warranty Claims/Replacement Parts
Toll Free Number: +1-800-835-4113 (only within the US) or www.gamasonic.com

Visit our website or download the latest version of your instruction manual:
www.gamasonic.com or www.gamasonic.com/user-guides

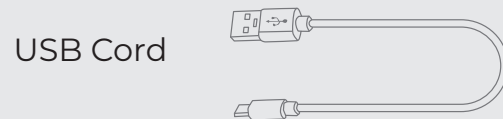
Gama Sonic's Multi-Use Flashlight

Gama Sonic's new Emergency and Camping Solar Flashlight has many uses. It can be used as a spotlight or floodlight as well as an emergency light in unexpected power outages. It can be charged by a micro USB cord or using the built-in solar panel. It can also be used to charge any device with a USB cord as well as open any crown cap bottle.

Solar Lamp Charger

For optimum charging using the built in solar panel, make sure the panel is in direct sunlight free from any shadows or obstructions.

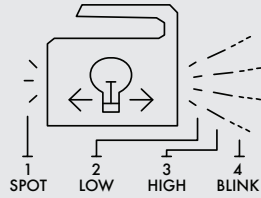
What's in the Box



Operation Instructions

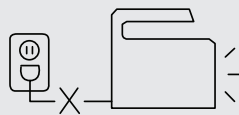
Light Modes

- To cycle through the four light modes, press the button on the handle to select one of the following modes:
 - Spot
 - Flood Light – High
 - Flood Light – Low
 - Blink
- Press the button on the handle to turn the lamp off by cycling through the remaining modes.



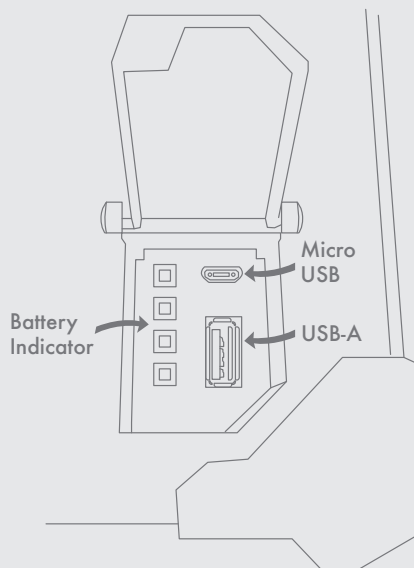
Emergency Light

- To use the Emergency Light feature, select the Light Mode that will be desired.
- Using the included USB cord, plug the cord into the Micro USB port on the lamp and the cord into any USB power supply. The light will go out when connected to power.
- When there is a loss of power, the lamp will come on automatically to the Light Mode that was previously selected.



USB Charging Port

- To use the USB Charging Port lift the cover by pressing in the tab.
- Plug any USB-A cord into the USB port and the lamp will automatically start providing power.
- To stop, unplug the cord from the lamp.



Recharging Instructions

Recharging using USB

- Lift the charging port cover by pressing in the tab.
- Using the included USB cord, plug the cord into the Micro USB port on the lamp and the cord into any USB power supply.
- The battery indicator will show the level of charge for the batteries.

Recharging using Solar

- To recharge the batteries using the solar panel, place the lamp in a position so the panel is getting direct sunlight.
- Make sure there are no shadows or obstructions on the panel.
- The battery indicator will show the level of charge for the batteries.

Replacement Parts

Replacement Batteries are available at www.gamasonic.com or via our Toll Free number: +1-800-835-4113.

Your lamp uses two of the following battery:

SB37V20

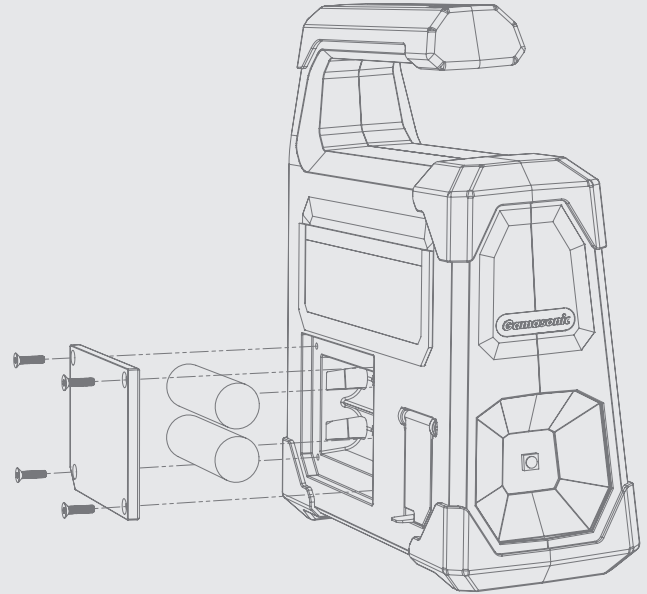


Replacing the Batteries

GAMA SONIC®
SOLAR LIGHTING

After several years of use, the battery may need replacing.

1. Remove the battery compartment cover by removing the four screws.
2. Remove the two batteries from the lamp.
3. Make sure the new batteries are a high quality 3.7V/2000mAh Li-Ion battery (Part# SB37V20).
4. Insert the new batteries making sure the negative end (-) is against the springs.
5. Reinstall the battery compartment cover by securing the four screws.



Replacement Batteries and Bulbs are available at
www.gamasonic.com

Maintenance

Clean the solar panels regularly with a damp towel to guarantee optimum performance. Do not use any type of solvent for cleaning and be careful not to put too much pressure on the solar panels while cleaning.

Troubleshooting

If your solar light does not come on as expected despite observance of all the instructions, please try the following steps:

1. Make sure the batteries are fully charged.
2. Make sure the lamp is not plugged into a power source via the USB cord.
3. Check that the batteries are installed correctly.

WARNING: Please keep out of reach of children. Do not dispose of the Li-Ion battery in the regular trash, municipal waste stream or by fire as batteries may leak or explode. Do not open, short circuit, or mutilate batteries as injury may occur. Preserve our environment by recycling Li-Ion batteries or disposing of them in accordance with local, State and federal regulations. Do not mix old and new batteries.

