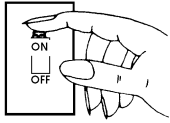


# INSTALLATION INSTRUCTIONS

READ IMPORTANT SAFETY TIPS BEFORE PROCEEDING WITH INSTALLATION

## SAFETY TIPS

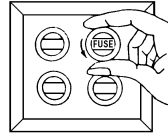


Turn fixture off! (Place wall switch in off position, if fixture has built-in switch or chain pull, switch or pull chain so fixture is off.)

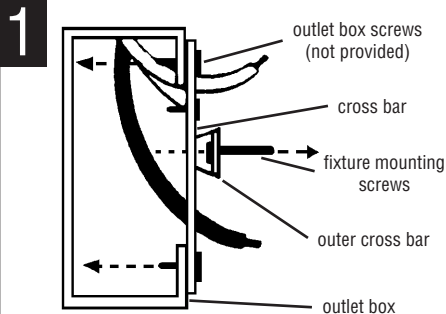


Next - go to the main fuse box. If your fuse box has an ON/OFF switch, simply place main power switch in OFF position.

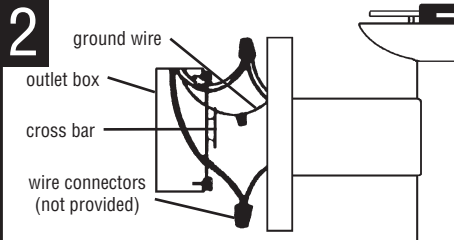
OR



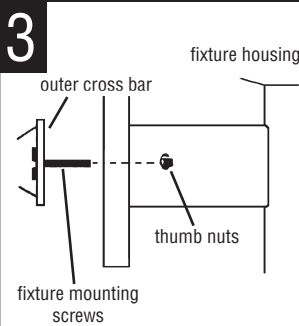
Screw-in type fuses - unscrew the fuse or fuses that control the power to the fixture or room you are working in.



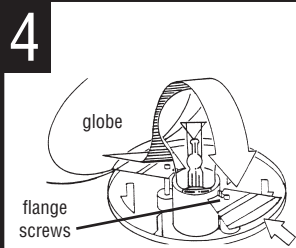
**1** THREAD fixture mounting screws (provided) into outer cross bar. ATTACH cross bar to outlet box with outlet box screws (not provided).



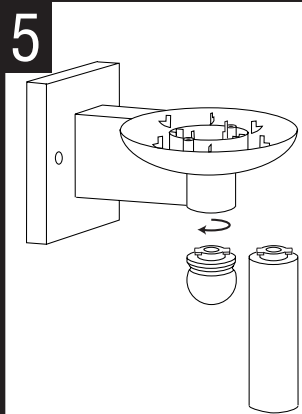
**2** CONNECT THE WIRES. NOTE: Attach black fixture wire to black supply wire, white fixture wire to white supply wire. Do not mix them up. Use approved electrical tape or wire connectors (not provided). Connect bare fixture ground wire to ground wire from outlet box. NEVER CONNECT GROUND WIRE TO BLACK OR WHITE POWER SUPPLY WIRES.



**3** POSITION FIXTURE HOUSING over the fixture mounting screws and secure in place with thumb nuts provided. NOTE: Fixture must be caulked with an acrylic caulk where fixture housing meets mounting surface. This provides a water tight seal when fixture is installed.



**4** SCREW LIGHT BULB INTO SOCKET. Be sure to use bulb with wattage no greater than specified for this fixture. Attach globe to fixture base. Slip one side of globe between base and spring loaded flange. Position other side of globe to fixture base. Push other spring loaded flange into globe. Center globe on fixture base and tighten flange screws.



**5** Insert your choice of tail section (short or long) and turn clockwise.

THIS FIXTURE MAY HAVE AN INTEGRAL PHOTO SENSOR THAT TURNS THE FIXTURE OFF DURING THE DAY AND ON AT NIGHT. THE PHOTO SENSOR IS NOT ADJUSTABLE. THE FIXTURE COULD POSSIBLY CYCLE ON AND OFF DUE TO LIGHT REFLECTED FROM NEAR BY SURFACES INTO THE PHOTO SENSOR. IF CYCLING OCCURS, REMOVE THE PHOTO SENSOR NUT AND INSTALL THE SWIVEL HOOD AND BASE.

THE HOOD AND BASE ARE ADJUSTABLE. HOOD CAN BE ROTATED AND BASE CAN BE CUT ALONG DOTTED LINE TO REDUCE OVERALL LENGTH. CHECK OPERATION BEFORE CUTTING THE BASE.



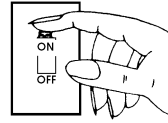
Clean only with mild soap and water. Avoid spraying with cleansers, insecticides, and pesticides that are petroleum based hydrocarbon products. These will degrade luminaire.

IS017 Rev C

# INSTALLATION INSTRUCTIONS

READ IMPORTANT SAFETY TIPS BEFORE PROCEEDING WITH INSTALLATION

## SAFETY TIPS

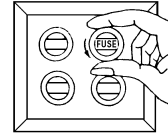


Turn fixture off! (Place wall switch in off position, if fixture has built-in switch or chain pull, switch or pull chain so fixture is off.)

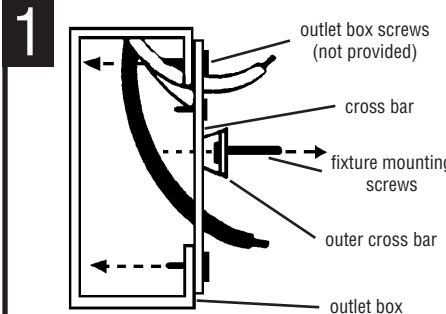


Next - go to the main fuse box. If your fuse box has an ON/OFF switch, simply place main power switch in OFF position.

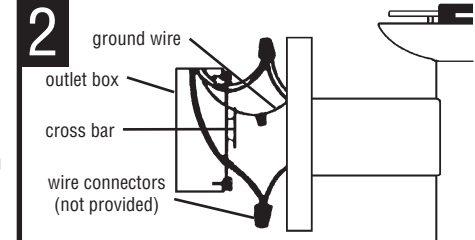
OR



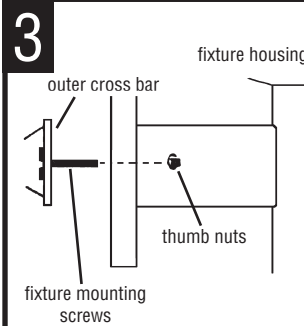
Screw-in type fuses - unscrew the fuse or fuses that control the power to the fixture or room you are working in.



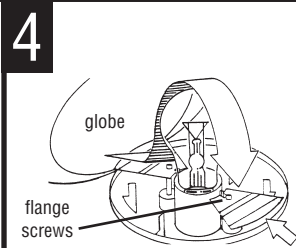
**1** THREAD fixture mounting screws (provided) into outer cross bar. ATTACH cross bar to outlet box with outlet box screws (not provided).



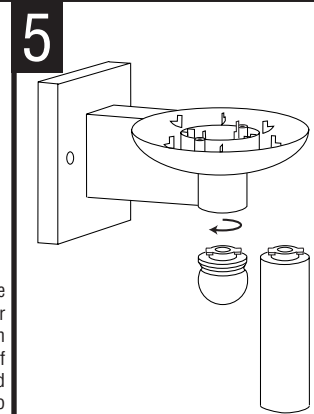
**2** CONNECT THE WIRES. NOTE: Attach black fixture wire to black supply wire, white fixture wire to white supply wire. Do not mix them up. Use approved electrical tape or wire connectors (not provided). Connect bare fixture ground wire to ground wire from outlet box. NEVER CONNECT GROUND WIRE TO BLACK OR WHITE POWER SUPPLY WIRES.



**3** POSITION FIXTURE HOUSING over the fixture mounting screws and secure in place with thumb nuts provided. NOTE: Fixture must be caulked with an acrylic caulk where fixture housing meets mounting surface. This provides a water tight seal when fixture is installed.



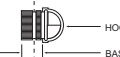
**4** SCREW LIGHT BULB INTO SOCKET. Be sure to use bulb with wattage no greater than specified for this fixture. Attach globe to fixture base. Slip one side of globe between base and spring loaded flange. Position other side of globe to fixture base. Push other spring loaded flange into globe. Center globe on fixture base and tighten flange screws.



**5** Insert your choice of tail section (short or long) and turn clockwise.

THIS FIXTURE MAY HAVE AN INTEGRAL PHOTO SENSOR THAT TURNS THE FIXTURE OFF DURING THE DAY AND ON AT NIGHT. THE PHOTO SENSOR IS NOT ADJUSTABLE. THE FIXTURE COULD POSSIBLY CYCLE ON AND OFF DUE TO LIGHT REFLECTED FROM NEAR BY SURFACES INTO THE PHOTO SENSOR. IF CYCLING OCCURS, REMOVE THE PHOTO SENSOR NUT AND INSTALL THE SWIVEL HOOD AND BASE.

THE HOOD AND BASE ARE ADJUSTABLE. HOOD CAN BE ROTATED AND BASE CAN BE CUT ALONG DOTTED LINE TO REDUCE OVERALL LENGTH. CHECK OPERATION BEFORE CUTTING THE BASE.



Clean only with mild soap and water. Avoid spraying with cleansers, insecticides, and pesticides that are petroleum based hydrocarbon products. These will degrade luminaire.

IS017 Rev C