

## EMT8 EMERGENCY T8 TUBE

PROJECT: \_\_\_\_\_

SCHEDULE: \_\_\_\_\_ DATE: \_\_\_\_\_

PREPARE BY: \_\_\_\_\_

NOTES: \_\_\_\_\_

### DESCRIPTION

naturaLED® Emergency T8 Tubes acts as a regular T8 LED Light with emergency lighting capabilities. Our EMT8 fits into an existing fluorescent lighting system. Utilizes the existing electrical T8 fluorescent ballast that produces up to 2,000 lumens in regular mode and 500 lumens in emergency mode. EMT8 allows 90-minutes of run time during emergency.

### APPLICATIONS

Retails, restaurants, hospitalities, offices, schools



**Rated Life 50,000 Hours**  
**Warranty 5 Years**

### FEATURES

- For Damp Location
- UL924 Listed
- Color Temperature: 3CCT(3500/4000/5000K)
- Voltage: 120-277V
- Input Current: 0.1A
- Surge Protection: 2KV
- Power Factor: >0.9
- Beam Angle: 325°
- Non-dimmable
- CRI: >80
- Operating temperature: 32°F - 113°F
- Instant On/ Battery Backup
- Battery: Ternary Lithium Battery
- Base: Medium Bi-Pin G13 (fixture powered by hardwire)
- Emergency Run Time: >90min
- Length: 4-ft
- 5 Year Warranty
- 50,000 hrs rated average life / 300 Emergency Cycles

### BASE TYPE

T8



### SAMPLE NUMBER LEDEM14.5T8/FR20/8CCT3/MV

STYLE	WATTAGE	SERIES	WATTAGE	CRI/COLOR TEMP	TYPE
LED	EM14.5	T8	FR20	8CCT3	MV
LED Lighting	14.5 Watt Emergency Backup Battery	T8 Tubes	Frosted 2,000 lumens	CRI 80 Selectable Color Temp (3500/4000/5000K)	Multiple Voltage 120-277V



# EMERGENCY TUBE T8

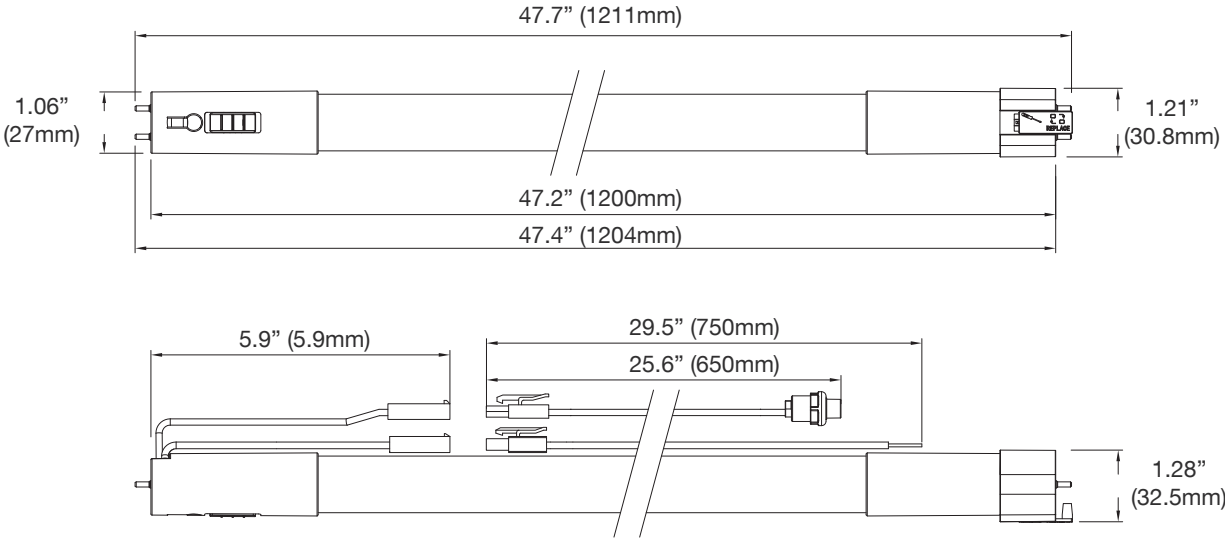
TUBE LUMINAIRES

## ORDERING

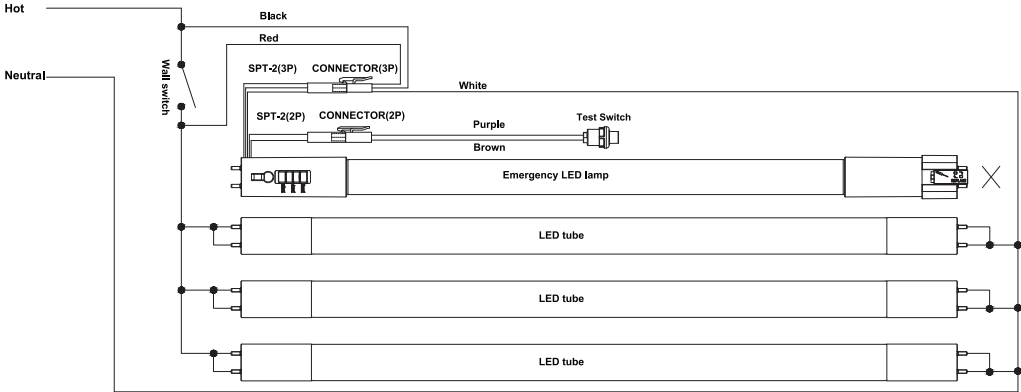
Watts (W)	Ordering Code	Description	CCT (K)	Lumens (Lm)	Lumens Emergency(Lm)	Emergency Run Time	Base	UL Listed
14.5	4613	LEDEM14.5T8/FR20/8CCT3/MV	3CCT (35/40/50K)	2,000	500	90 min	Bi-Pin	•

## DIMENSIONS

14.5W (4-ft)  
0.76-lbs (345g)



## WIRING INSTRUCTIONS



## PACKAGE

Case Qty  
10 pcs

