

sunlite®

INSTALLATION INSTRUCTIONS

LED DECORATE POST TOP ACORN LIGHT | 49187-SU LFX/PTL/MW/SCT



Please read and understand this entire manual before attempting to assemble, operate or install the product.

WARNING: Avoid fire or electric shock. Follow installation instructions carefully. Risk of fire or electric shock. LED Retrofit Kit installation requires knowledge of luminaires electrical systems. If not qualified, do not attempt installation. Contact a qualified electrician.

Install this kit only in luminaires that have the construction features and dimensions shown in the photographs and/or drawings and where the input rating of the retrofit kit does not exceed the input rating of the luminaire. Wear rubber-soled shoes and work on a sturdy ladder. Ground fixture to avoid potential electrical shock. Do not make or alter any open holes in an enclosure of wiring or electrical components during kit installation. To prevent wiring damage or abrasion, do not expose wiring to edges of sheet metal or other sharp objects.

CAUTION: Turn off the power at fuse or circuit breaker box before installation and maintenance to avoid electric shock. Fixture must be installed according to National Electric Code and local building codes. If you are unsure about wiring consult a qualified electrician. **THIS FIXTURE BODY IS ONE PIECE, DO NOT DISASSEMBLE OR MAKE ALTERATIONS.** Not to be used for emergency lighting.

Suitable for wet locations.

This device complies with part 15 of the FCC Rules. Operation is subject to the following two conditions: (1) this device may not cause harmful interference, and (2) this device must accept any interference received, including that may cause undesired operation.

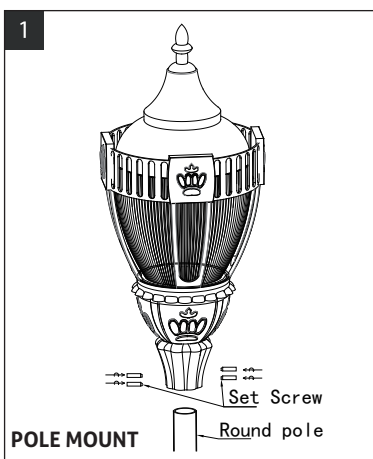
Retain these instructions for future maintenance reference.



Sunlite's CCT tunable round LED decorative fixture allows for selecting the light temperature to match a wide range of applications. The CCT tunable selector switch contained within the fixture, allows the user to choose between 3000K, 4000K, and 5000K prior to installation.



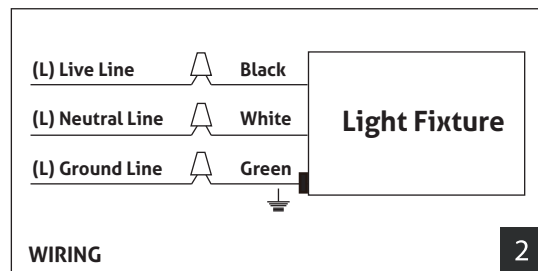
Installation



1. Make the wiring connections with UL approved connectors knot the wires for strain relief.
2. Round Pole Adapter can fit with 3" or 2 3/8" diameter. Slip Round Pole Adaptor over tenon. For 3" Pole use shorter (3/8") pole set screw and for 2 3/8" pole use longer (7/8") pole set screws to secure the fixture to the pole.

Universal voltage driver permits operation at 100V to 277VAC, 50 or 60Hz

1. Connect the black fixture line to the (L) Live line supply wire.
2. Connect the white fixture line to the (N) Neutral line supply wire.
3. Connect the green fixture line to the (G) Ground line supply ground



Trouble Shooting

1. Check that the line voltage at fixture is correct. Refer to wiring directions.
2. Is the fixture grounded properly?