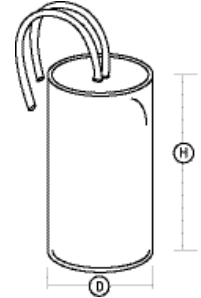


ProLume. High Pressure Sodium Ballast Specifications

PN# 55104

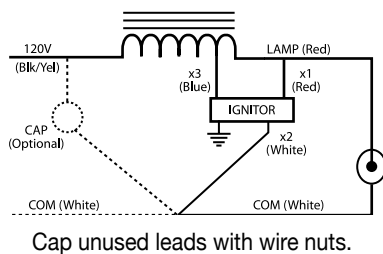
BALLAST SPECIFICATIONS	
Input Volts	120V
Frequency	60Hz
Circuit Type	R-HPF
Input Power	61W
Starting Current	0.7A
Operating Current	1.20A
Open Circuit Current	0.9A
Recommended Fuse	4A
Open Circuit Volts	120V
Short Circuit Current (Input)	0.3-0.9A
Short Circuit Current (Secondary)	1.2-1.9A
Insulation System	Class H, 180°C
UL 1029 Bench Top Rise Code	A
Min. Starting Temp	-22°F / -30°C

CAPACITOR*

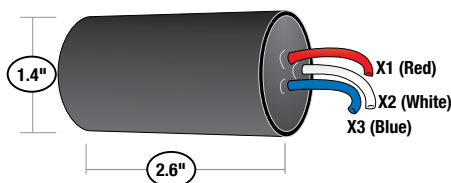


Diameter: 1.38"
 Height: 3.17"
 Cap.: 20µF
 Minimum Volts: 120V
 Case Max. Temp.: 150°C
 *Capacitor is optional and not included

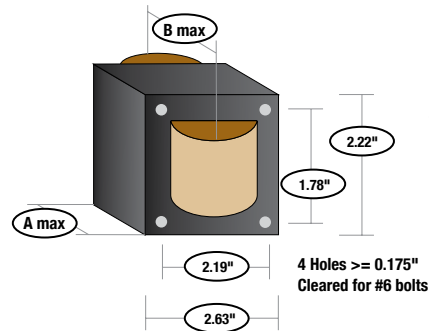
WIRING DIAGRAM



IGNITOR



BALLAST DIMENSIONS



Dim. (A): 0.83"
 Dim. (B): 2.0"
 Weight: 1.7 lbs
 Lead Length: 12"

Actual performance can vary depending on operating conditions. Specifications are subject to change without notice. All specifications are nominal unless otherwise noted.

PN# 55104

