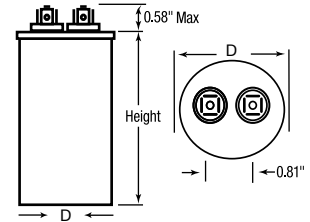


### ProLume. High Pressure Sodium Ballast Specifications

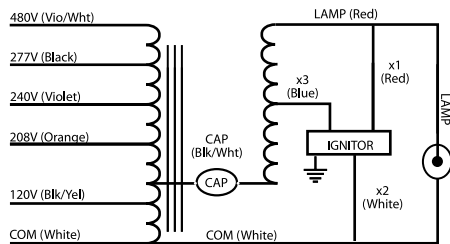
BALLAST SPECIFICATIONS					
Input Volts	120V	208V	240V	277V	480V
Frequency	60Hz				
Circuit Type	CWA				
Input Power	450W				
Starting Current	3.1A	1.8A	1.6A	1.4A	0.8A
Operating Current	3.8A	2.2A	1.9A	1.6A	0.9A
Open Circuit Current	2.0A	1.2A	1.0A	0.9A	0.5A
Recommended Fuse	10A	7A	5A	5A	3A
Open Circuit Volts	185V				
Short Circuit Current (Input)	1.5-4.5A	0.8-2.4A	0.7-2.1A	0.6-1.8A	0.5-1.5A
Short Circuit Current (Secondary)	4.6-7.5A				
Insulation System	Class N, 200°C				
UL 1029 Bench Top Rise Code	A	A	A	A	A
Min. Starting Temp	-40°F / -40°C				

#### CAPACITOR



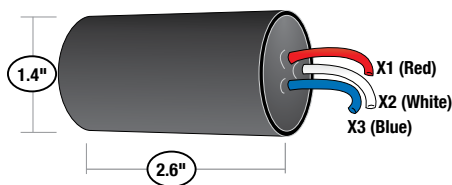
Diameter: 2.08"  
Height: 3.15"  
Cap.: 55µF  
Minimum Volts: 240V  
Case Max. Temp.: 90°C

#### WIRING DIAGRAM

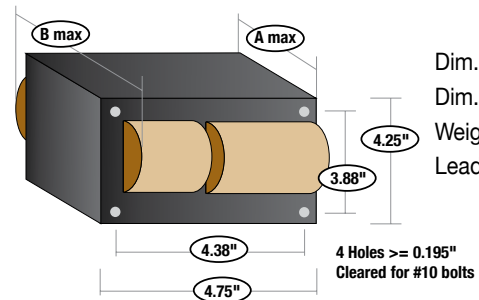


Cap unused leads with wire nuts.

#### IGNITOR



#### BALLAST DIMENSIONS



Actual performance can vary depending on operating conditions. Specifications are subject to change without notice. All specifications are nominal unless otherwise noted.

PN# 55126

