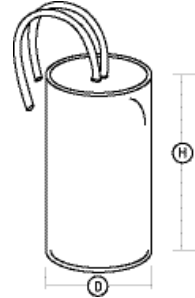


## ProLume. Pulse Start Metal Halide Ballast Specifications

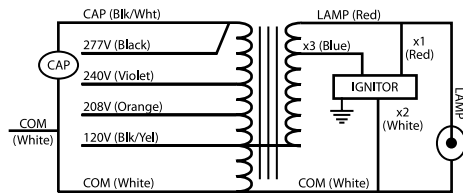
BALLAST SPECIFICATIONS				
Input Volts	120V	208V	240V	277V
Frequency	60 Hz			
Circuit Type	HX-HPF			
Input Power	120W			
Starting Current	1.4A	0.7A	0.6A	0.5A
Operating Current	1.1A	0.6A	0.5A	0.5A
Open Circuit Current	2.4A	1.4A	1.2A	1.1A
Recommended Fuse	8A	6A	4A	4A
Open Circuit Volts	276V			
Short Circuit Current (Input)	0.6-1.8A	0.3-0.9A	0.3-0.9A	0.3-0.8A
Short Circuit Current (Secondary)	1.1-1.6A			
Insulation System	Class N, 200°C			
UL 1029 Bench Top Rise Code	A	A	A	A
Min. Starting Temp	-22°F / -30°C			

### CAPACITOR



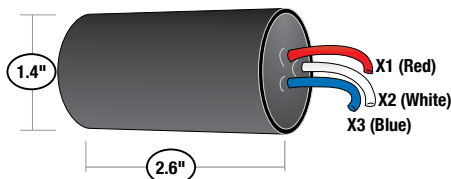
Diameter: 1.18"  
Height: 3.10"  
Cap.: 12µF  
Minimum Volts: 280V  
Case Max. Temp.: 100°C

### WIRING DIAGRAM



Cap unused leads with wire nuts.

### IGNITOR

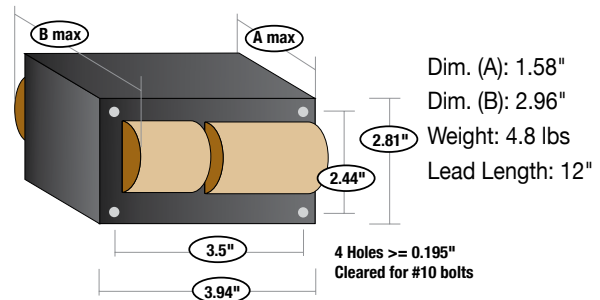


### SOCKETS



Product Number	Product Code	Terminal	Lead Length
91010	SKT/E39/4KV	Screw	10"
91011	SKT/E26/4KV	Screw	18"

### BALLAST DIMENSIONS



Actual performance can vary depending on operating conditions. Specifications are subject to change without notice. All specifications are nominal unless otherwise noted.

PN# 55136

