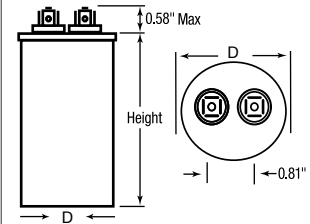


### ProLume. Metal Halide Ballast Specifications

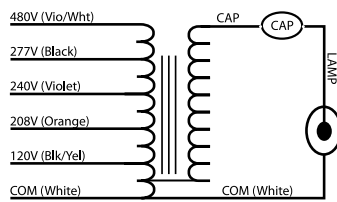
BALLAST SPECIFICATIONS					
Input Volts	120V	208V	240V	277V	480V
Frequency	60Hz				
Circuit Type	CWA				
Input Power	210W				
Starting Current	1.3A	0.7A	0.6A	0.5A	0.3A
Operating Current	1.9A	1.1A	0.9A	0.8A	0.5A
Open Circuit Current	1.6A	0.9A	0.8A	0.7A	0.4A
Recommended Fuse	10A	5A	5A	3A	2A
Open Circuit Volts	302V				
Short Circuit Current (Input)	0.6-1.8A	0.4-1.2A	0.3-0.9A	0.3-0.9A	0.2-0.6A
Short Circuit Current (Secondary)	1.5-2.5A				
Insulation System	Class N, 200°C				
UL 1029 Bench Top Rise Code	A	A	A	A	A
Min. Starting Temp	-22°F / -30°C				

#### CAPACITOR



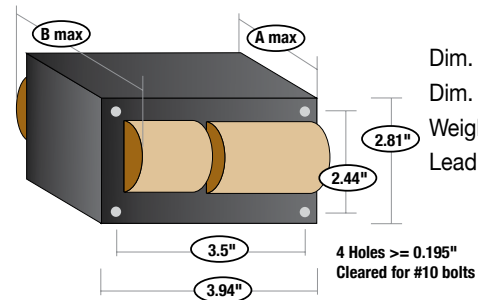
Diameter: 1.88"  
 Height: 2.36"  
 Cap.: 10µF  
 Minimum Volts: 400V  
 Case Max. Temp.: 90°C

#### WIRING DIAGRAM



Cap unused leads with wire nuts.

#### BALLAST DIMENSIONS



Dim. (A): 2.44"  
 Dim. (B): 4.10"  
 Weight: 6.90 lbs  
 Lead Length: 12"

Actual performance can vary depending on operating conditions. Specifications are subject to change without notice. All specifications are nominal unless otherwise noted.

PN# 55142

