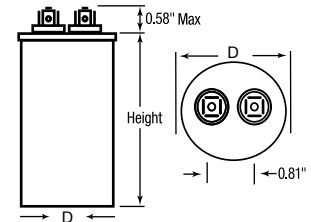


ProLume. Pulse Start Metal Halide Ballast Specifications

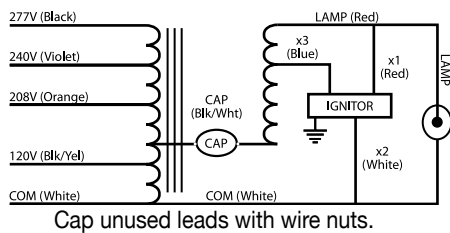
BALLAST SPECIFICATIONS				
Input Volts	120V	208V	240V	277V
Frequency	60Hz			
Circuit Type	CWA			
Input Power	361W			
Starting Current	2.8A	1.3A	1.2A	1.0A
Operating Current	3.1A	1.8A	1.55A	1.35A
Open Circuit Current	1.1A	0.6A	0.5A	0.4A
Recommended Fuse	10A	6A	6A	5A
Open Circuit Volts	279V			
Short Circuit Current (Input)	0.9-2.7A	0.5-1.5A	0.4-1.2A	0.4-1.2A
Short Circuit Current (Secondary)	2.6-4.0A			
Insulation System	Class H, 180°C			
UL 1029 Bench Top Rise Code	B	B	B	B
Min. Starting Temp	-22°F / -30°C			

CAPACITOR

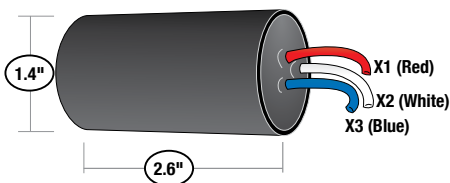


Diameter: 1.88"
Height: 3.74"
Cap.: 21µF
Minimum Volts: 360V
Case Max. Temp.: 90°C

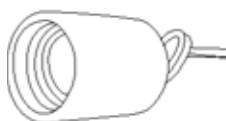
WIRING DIAGRAM



IGNITOR

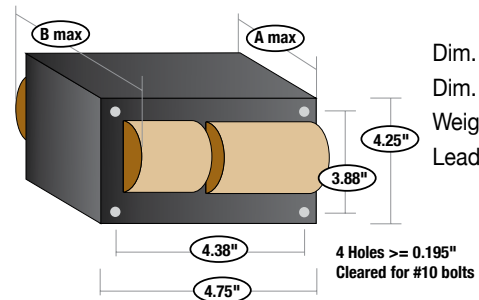


SOCKETS



Product Number	Product Code	Terminal	Lead Length
91010	SKT/E39/4KV	Screw	10"
91011	SKT/E26/4KV	Screw	18"

BALLAST DIMENSIONS



Actual performance can vary depending on operating conditions. Specifications are subject to change without notice. All specifications are nominal unless otherwise noted.

PN# 55148

