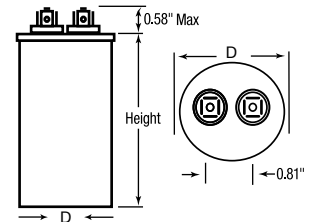


ProLume. Pulse Start Metal Halide Ballast Specifications

PN# 55178

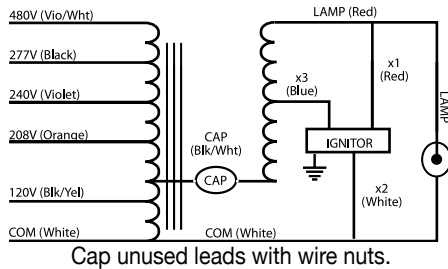
BALLAST SPECIFICATIONS					
Input Volts	120V	208V	240V	277V	480V
Frequency	60Hz				
Circuit Type	CWA				
Input Power	458W				
Starting Current	3.0A	1.7A	1.5A	1.3A	0.8A
Operating Current	3.81A	2.15A	1.92A	1.67A	0.93A
Open Circuit Current	1.7A	1.0A	0.9A	0.8A	0.4A
Recommended Fuse	12A	6A	6A	5A	3A
Open Circuit Volts	268V				
Short Circuit Current (Input)	1.6-4.8A	1.2-3.6A	1.1-3.3A	0.8-2.4A	0.6-1.6A
Short Circuit Current (Secondary)	3.2-5.0A				
Insulation System	Class N, 200°C				
UL 1029 Bench Top Rise Code	A	A	A	A	A
Min. Starting Temp	-22°F / -30°C				

CAPACITOR

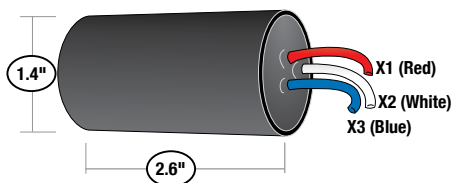


Diameter: 1.88"
Height: 3.54"
Cap.: 26µF
Minimum Volts: 400V
Case Max. Temp.: 90°C

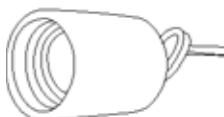
WIRING DIAGRAM



IGNITOR

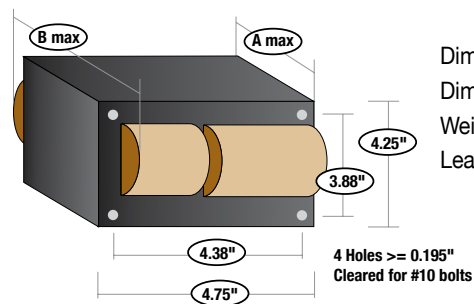


SOCKETS



Product Number	Product Code	Terminal	Lead Length
91010	SKT/E39/4KV	Screw	10"
91011	SKT/E26/4KV	Screw	18"

BALLAST DIMENSIONS



Dim. (A): 2.32"
Dim. (B): 4.25"
Weight: 12.2 lbs
Lead Length: 12"

Actual performance can vary depending on operating conditions. Specifications are subject to change without notice. All specifications are nominal unless otherwise noted.

PN# 55178

