

## ProLume. Pulse Start Metal Halide Ballast Specifications

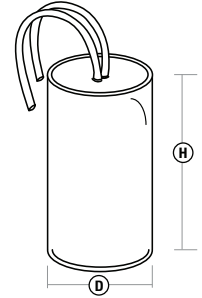
# M110/50HX/4T/K

50 Watt PS MH Lamp, M110

PN# 55192

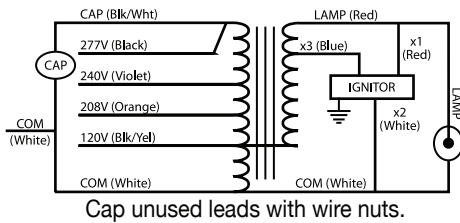
| BALLAST SPECIFICATIONS            |                |          |          |          |
|-----------------------------------|----------------|----------|----------|----------|
| Input Volts                       | 120V           | 208      | 240V     | 277V     |
| Frequency                         | 60Hz           |          |          |          |
| Circuit Type                      | HX-HPF         |          |          |          |
| Input Power                       | 65W            |          |          |          |
| Starting Current                  | 0.6A           | 0.4A     | 0.3A     | 0.3A     |
| Operating Current                 | 0.6A           | 0.4A     | 0.3A     | 0.3A     |
| Open Circuit Current              | 1.2A           | 0.8A     | 0.6A     | 0.5A     |
| Recommended Fuse                  | 5A             | 3A       | 3A       | 2A       |
| Open Circuit Volts                | 258V           |          |          |          |
| Short Circuit Current (Input)     | 0.3-0.9A       | 0.2-0.6A | 0.2-0.5A | 0.1-0.4A |
| Short Circuit Current (Secondary) | 0.7-1.1A       |          |          |          |
| Insulation System                 | Class N, 200°C |          |          |          |
| UL 1029 Bench Top Rise Code       | A              | A        | A        | A        |
| Min. Starting Temp                | -22°F / -30°C  |          |          |          |

### CAPACITOR

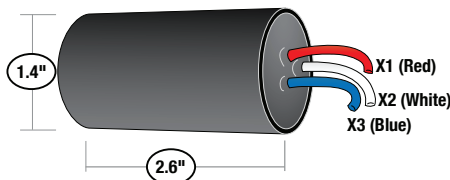


Diameter: 1.18"  
Height: 2.68"  
Cap.: 6µF  
Minimum Volts: 280V  
Case Max. Temp.: 100°C

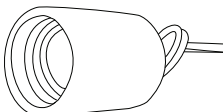
### WIRING DIAGRAM



### IGNITOR

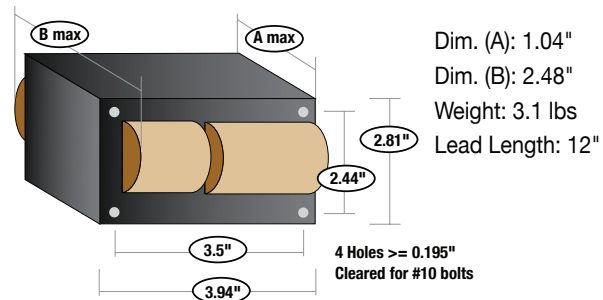


### SOCKETS



| Product Number | Product Code | Terminal | Lead Length |
|----------------|--------------|----------|-------------|
| 91010          | SKT/E39/4KV  | Screw    | 10"         |
| 91011          | SKT/E26/4KV  | Screw    | 18"         |

### BALLAST DIMENSIONS



Actual performance can vary depending on operating conditions. Specifications are subject to change without notice. All specifications are nominal unless otherwise noted.

PN# 55192