

Version		Date	7/29/2022
Prepared By			

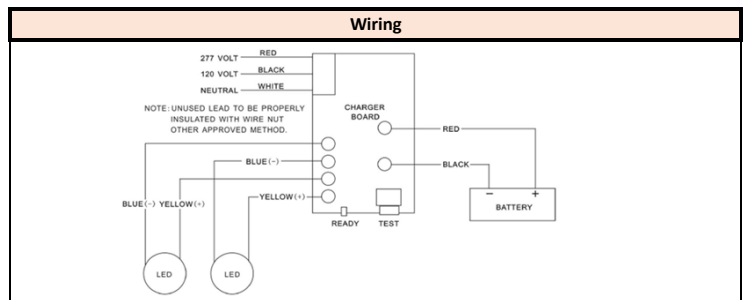
PRODUCT SPECIFICATION	
Category	EMERGENCY LIGHT
Item Number	7522
Stock Code	LEDEM-FD-WH
Mounting	wall mount /seiling mount
Housing Color	White



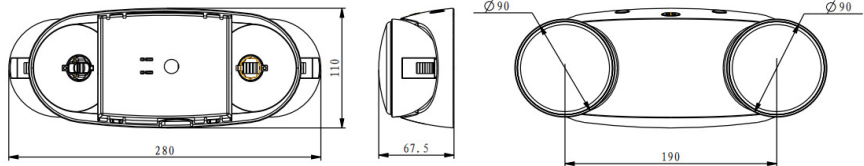
ELECTRICAL CHARACTERISTICS			
Rated Wattage (W)	2	Battery	3.6V 1000mAh Ni-Cd Battery
Tested Wattage (W)	2		
Input Voltage (V)	120/277V		
Voltage Frequency (Hz)	50/60HZ	Surge Protect Level	-
Input Current (A)	0.09A(max)	Dimmable	-
Power Factor	0.4	AUX (12V) Line	-
Emergency Run Time	90 min	THD	<20%

PHOTOMETRIC CHARACTERISTICS			
Lumen (lm)	240lm	CCT (K)	6500K
Efficacy (lm/w)	-	Beam Angle (°)	-
CRI	80		

GENERAL CHARACTERISTICS	
Operating Temperature (°F)	32F ~ 104F
Storage Temperature (°F)	32F ~ 104F
IP Rating	20
Rated Life	50000hrs
Warranty	2 years
Material	thermoplastic ABS housing, UL 94V-0 flame rating



PRODUCT DIMENSIONS		
Length- in (mm)		280mm
Width- in (mm)		110mm
Height- in (mm)		67.5mm
EPA (ft²)	-	
Weight (lbs)	1	
Mounting Height (ft)	-	
Cable Length (ft)	-	



CERTIFICATIONS			
UL/ETL	UL, cUL		
FCC	✓		
RoHs	✓		

DOCUMENTS			

COMMENTS