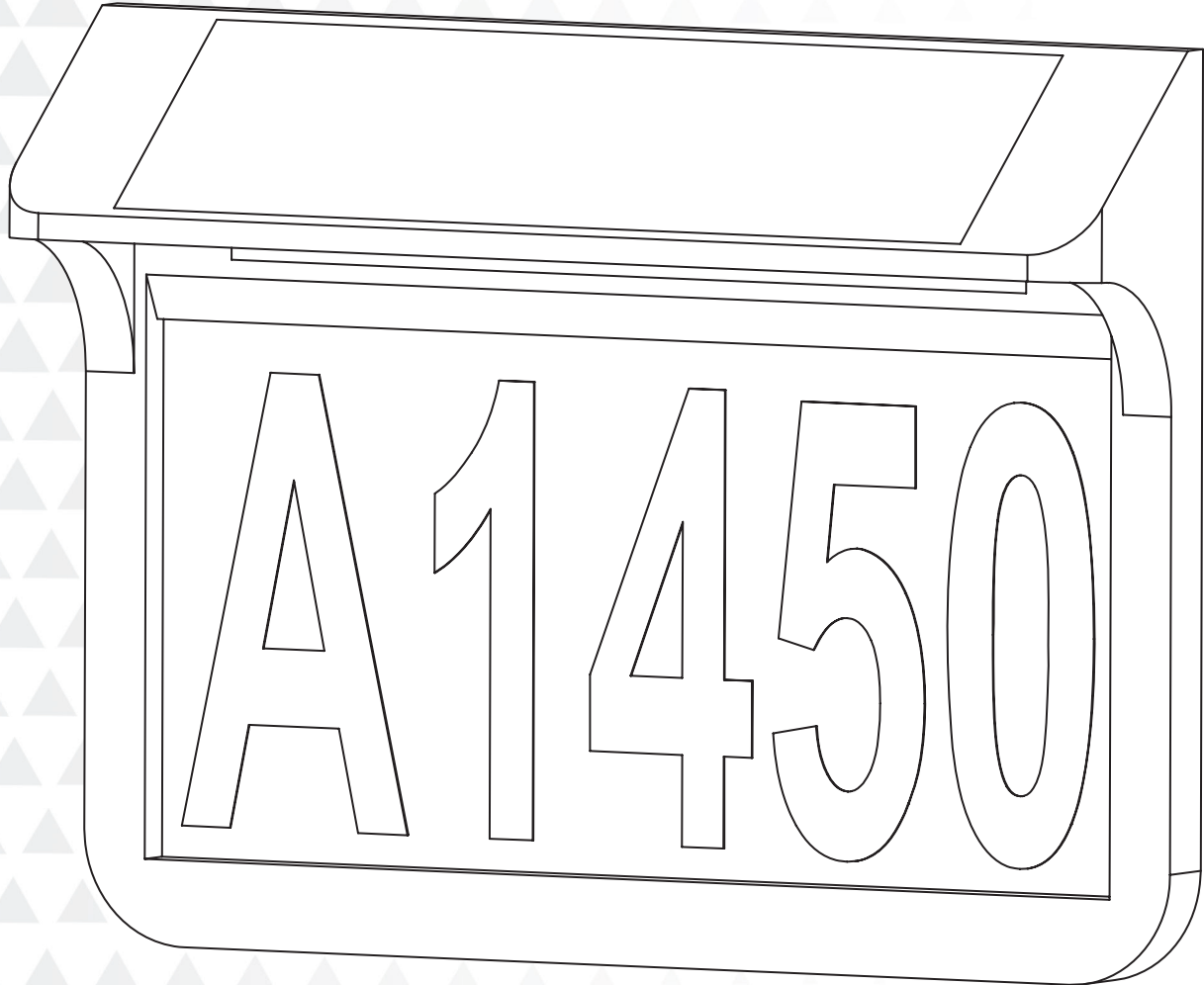


GAMA SONIC[®]


SOLAR LIGHTING



SOLAR ADDRESS WALL PLAQUE LIGHT

Part # 81i90010

Version 1.1

 Please read the instruction manual carefully to obtain the best results from your purchase.

Thank you for your purchase. GAMA SONIC® solar charged lights are brighter and last all night with a typical solar charge. Unique design, superior light output and numerous installation options confirm the outstanding value of our product.

GAMA SONIC® has been recognized as a worldwide leader in the lighting industry for over 20 years. The company also offers unique products from multi-purpose solar lamps to emergency lighting products.

**For technical assistance and more information call our Toll-Free number:
800-835-4113 (only within the US)**

Or

**visit our website or download the latest version of your instruction manual:
www.gamasonic.com Or www.gamasonic.com/user-guides**

Gama Sonic's Solar Address Wall Plaque Light

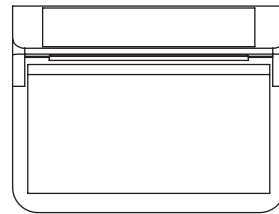
Gama Sonic's Solar Address Wall Plaque Light allows you to have your address number visible day or night. With two color temperature options, you can pick the color to illuminate your address throughout the night making it easy for guests to find your home.

Solar Lamp Location

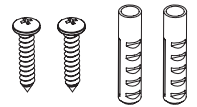
For optimum light duration throughout the night, it is very important to mount your solar lamp in a spot where it will receive the maximum amount of direct sunlight throughout the day.

What's In The Box:

81i90010 PARTS



Address Plaque



Hardware

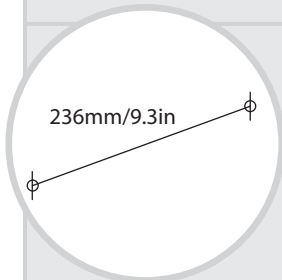
4 pcs each of 0-9
1 each of A, B, C, D, E

Numbers & Letters

Installation Instructions

1. Clean the surface where the address numbers will be applied.
2. Apply the desired address number using the peel and stick numbers provided.

NOTE: A number template is included to help with the spacing. The number template has two sides, one for 4 numbers and the other for 5 numbers.

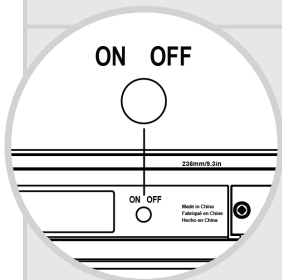
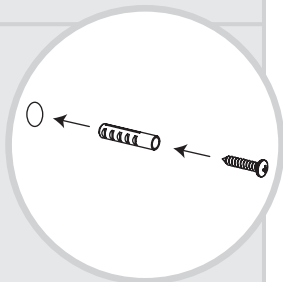


3. Locate your desired mounting location and make sure the sign will receive direct sunlight.
4. Using the paper template, mark and drill two holes in your desired mounting location that are 236mm/9.3in apart.

NOTE: A template is included for help with install.

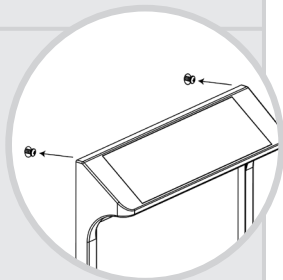
5. Insert the anchors in the holes and install the screws in the anchors.

NOTE: Make sure to leave a slight gap between the head of the screw and the anchors.



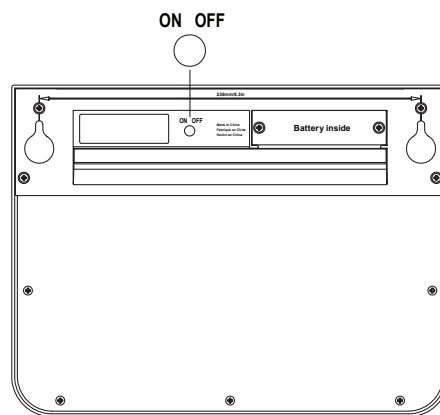
6. Turn the lamp on to your desired setting per the Operation Instructions.

7. Install the sign on the wall by aligning the screws with the grooves in the back of the sign and sliding the sign on the screws.



Operation Instructions

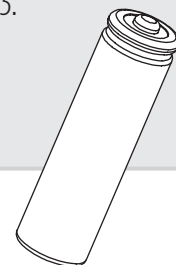
1. On the back of the address plaque, press the ON/OFF button to turn the lamp on. You will select the desired color temperature of the light based on the number of times you press the button: HINT: Cover the Solar Panel while pressing the button to see the color of the lights
 - 1st Press = Warm White
 - 2nd Press = Cool White
 - 3rd Press = OFF
2. Your light will turn on automatically at dusk.



Replacement Parts

Replacement Batteries are available at www.gamasonic.com or via our Toll Free number: +1-800-835-4113.

**Your Lamp uses the following battery:
SB37V08**





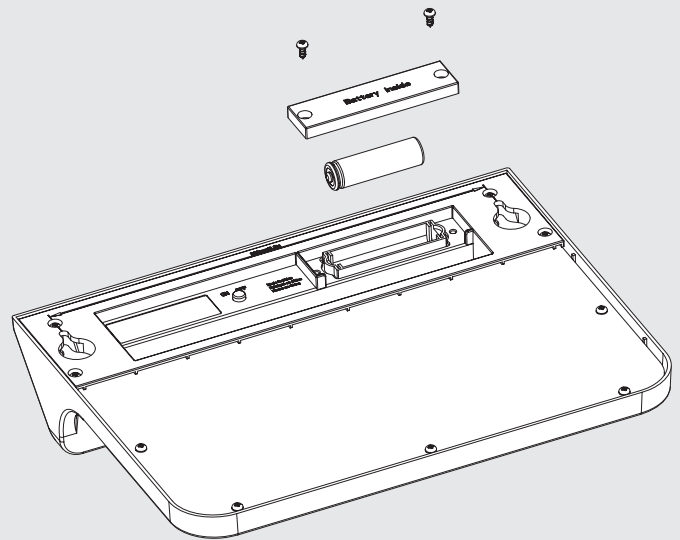
Replacing the Battery

GAMA SONIC®
SOLAR LIGHTING

Batteries are available for purchase at www.gamasonic.com

After several years of use, the battery may need replacing.

1. Remove your address plaque from the wall.
2. Press the ON/OFF button so it is in the off position.
3. Using a screwdriver, remove the two screws for the battery cover.
4. Remove the battery cover.
5. Remove the battery from the compartment and replace with a new Li-Ion 3.7V800mAh battery (Item# SB37V08).
6. Replace the battery cover and secure with the two screws.
7. Turn the light on to your desired color setting and place the plaque back on the wall.



MAINTENANCE

Clean the solar module regularly with a damp towel to guarantee optimum performance of the solar panel. Do not use any type of solvent for cleaning and be careful not to put too much pressure on the module while cleaning.

TROUBLESHOOTING

If your solar charged light does not come on at dusk despite observance of all the instructions, please try the following steps:

1. Make sure that the solar light is not being affected by any other light source.
2. Ensure the solar light is not positioned in the shade during the day.
3. Check that the batteries are installed correctly.

NOTE: The performance of the solar lamp will vary with the time of year. It will deliver more light when it has had a full day in the sun rather than a day in overcast weather.



WINTERTIME TIPS: For optimal performance, be sure to remove any snow or debris accumulation from solar panel(s). A solar panel free of debris will charge the batteries much more efficiently.

WARNING: Please keep out of reach of children.



WARNING: Please keep out of reach of children. Do not dispose of Li-Ion battery in the regular trash, municipal waste stream or by fire as batteries may leak or explode. Do not open, short circuit, or mutilate batteries as injury may occur. Preserve our environment by recycling Li-Ion batteries or disposing of them in accordance with local, state and federal regulations. Do not mix old and new batteries.