

# sunlite®

## INSTALLATION INSTRUCTIONS

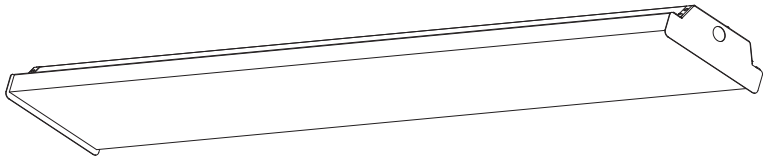
85292-SU | LED WRAP AROUND FIXTURE

**Please read and understand this entire manual before attempting to assemble, operate or install the product.**

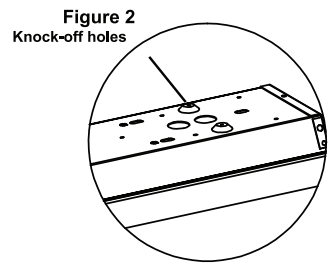
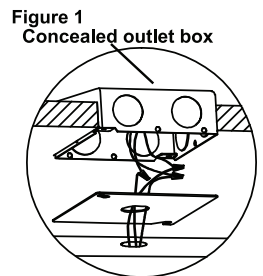
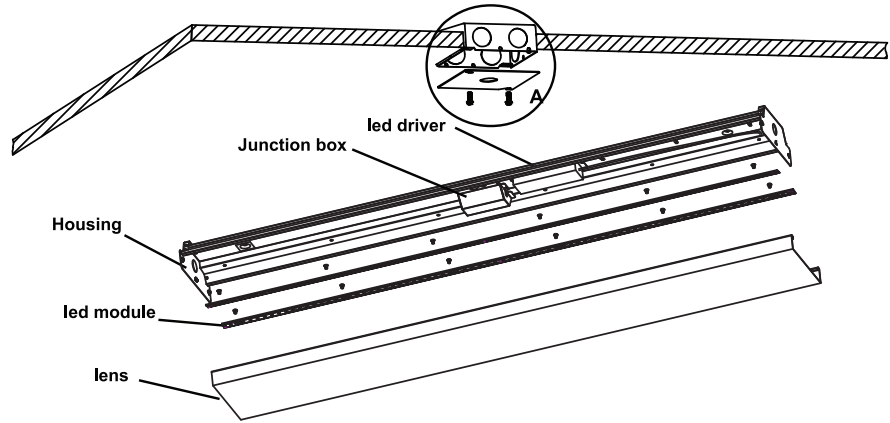
**WARNING:** Avoid fire or electric shock. Follow installation instructions carefully. If unsure about electrical installation, consult a qualified electrician. Wear rubber-soled shoes and work on a sturdy wooden ladder. Ground fixture to avoid potential electric shock. Handle metal parts carefully to prevent cuts. To avoid a hazard to children, account for all parts and destroy all packing materials.

**This device complies with part 15 of the FCC rules. Operation is subject to the following two conditions: (1) This device may not cause harmful interference, and (2) this device must accept any interference received, including interference that may cause undesired operation.**

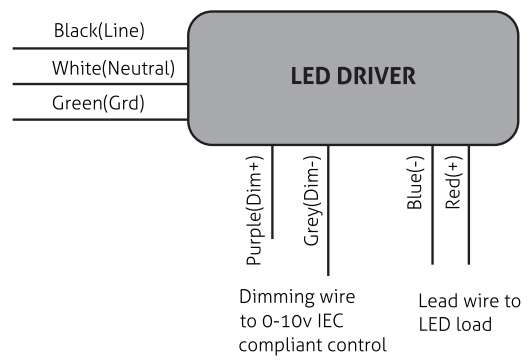
**CAUTION:** Turn off the power at fuse or circuit breaker box before installation and maintenance. NOTE: This fixture is suitable for 120 volt circuits. Fixture must be installed according to National Electric Code and local building codes. If you are unsure about wiring, consult a qualified electrician. Suitable for Damp Locations.



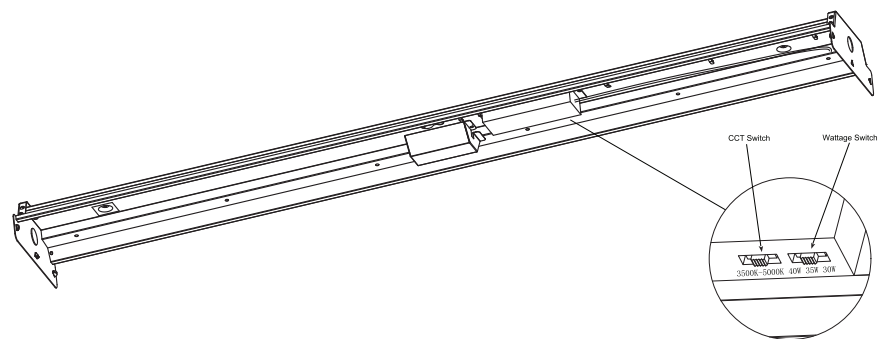
**0-10V DIMMABLE**  
Compatible with most wall based 0-10V dimming controllers



- Step 1:** Remove lens by pulling from one side of the fixture and hinge on the other
- Step 2:** Use the fixture as a template by placing it on the junction box and penciling on the ceiling the hole positions. Put the fixture aside and drill the four holes. Insert an anchoring bolt (not included) into each hole. Screw the four mounting screws into each anchoring bolt, then connect the AC wires.
- Step 3:** Install channel cover
- Step 4:** Install lens on one side of the fixture and rotate to engage the opposite side
- Step 5:** Turn on the fixture



**Adjustable Wattage & CCT**



**POWER TUNABLE SWITCH**

← 30W 35W 40W →

**COLOR TUNABLE SWITCH**

← 3500K 4000K 5000K →

\*\*The wattage changing switch allows for selecting the required power needed. The switch is conveniently placed within the fixture allowing the user to choose between 30W, 35W, or 40W before installation.

\*The CCT changing switch allows for selecting the light temperature to match a wide range of applications. The switch is conveniently placed within the fixture allowing the user to choose between 3500K, 4000K, and 5000K before installation.