

# sunlite®

## INSTALLATION INSTRUCTIONS

85298-SU | LED WRAP AROUND FIXTURE



Please read and understand this entire manual before attempting to assemble, operate or install the product.

**WARNING:** Avoid fire or electric shock. Follow installation instructions carefully. If unsure about electrical installation, consult a qualified electrician. Wear rubber-soled shoes and work on a sturdy wooden ladder. Ground fixture to avoid potential electric shock. Handle metal parts carefully to prevent cuts. To avoid a hazard to children, account for all parts and destroy all packing materials.

This device complies with part 15 of the FCC rules. Operation is subject to the following two conditions: (1) This device may not cause harmful interference, and (2) this device must accept any interference received, including interference that may cause undesired operation.

**CAUTION:** Turn off the power at fuse or circuit breaker box before installation and maintenance. NOTE: This fixture is suitable for 120-277 volt circuits. Fixture must be installed according to National Electric Code and local building codes. If you are unsure about wiring, consult a qualified electrician. Suitable for Damp Locations.

0-10V DIMMABLE

Compatible with most wall based 0-10V dimming controllers

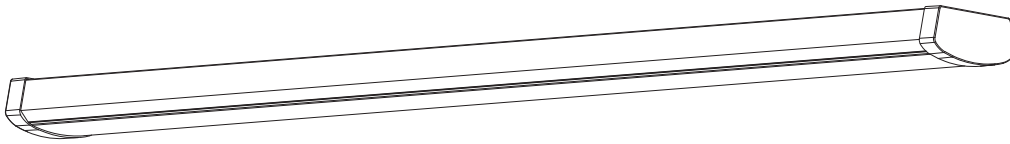


Figure 1

Remove lens

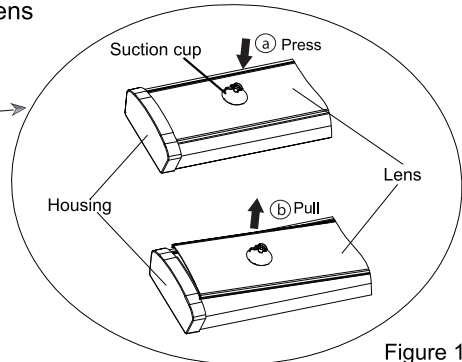
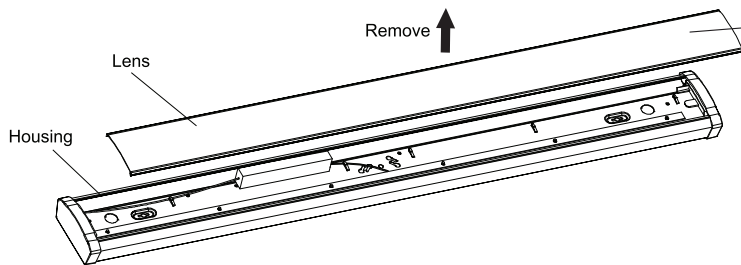


Figure 1A

Figure 2

Install lens

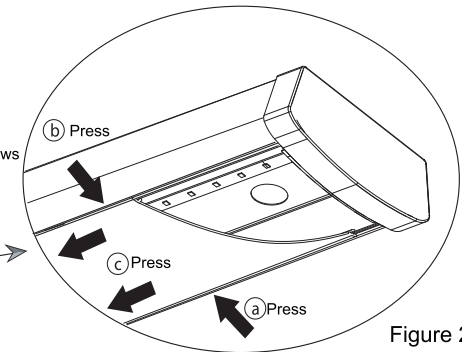
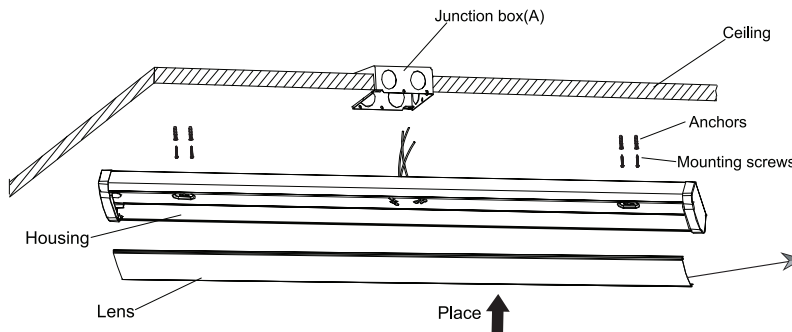


Figure 2A

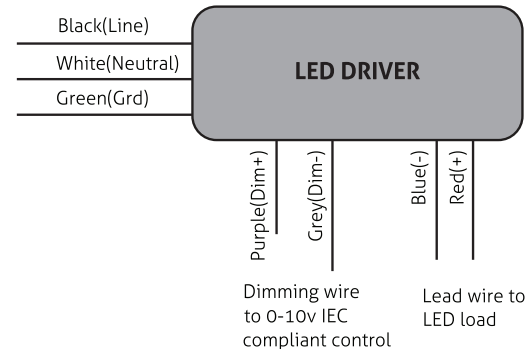
**Step 1:** Remove the lens from the housing near one end of the housing by using the provided suction cup. Press the suction cup to absorb one side of the lens, Pull the suction cup to detach the lens from the fixture housing (Fig. 1A detail)

**Step 2:** Use a screwdriver to punch out one of the knocked holes and pass the electrical cable out from the housing.

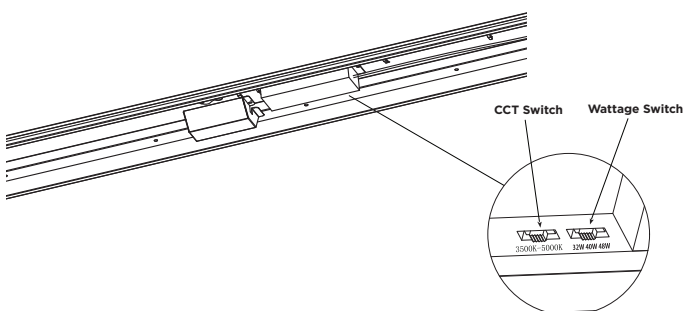
**Step 3:** Use the fixture as a template by placing it on the junction box and penciling in the ceiling the four holes positions. Put the fixture aside and drill the four holes. Insert an anchoring bolt (not included) into each hole. Screw the four mounting screws into each anchoring bolt, then connect the AC wires. (Fig.2)

**Step 4:** Install the lens starting at one end of housing. Insert lens slot onto edge of housing. Carefully squeeze the lens to engage opposite side with housing. Continue this action down length of lens until fully installed onto housing. (Fig.2A detail)

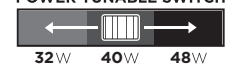
**Step 5:** Turn on the fixture



### Adjustable Wattage & CCT

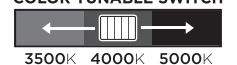


#### POWER TUNABLE SWITCH



\*\*The wattage changing switch allows for selecting the required power needed. The switch is placed inside the fixture, allowing the user to choose between 32W, 40W or 48W.

#### COLOR TUNABLE SWITCH



\*\*The CCT changing switch allows for selecting the light temperature to match a wide range of applications. The switch is placed inside the fixture, allowing the user to choose between 3500K, 4000K and 5000K before installation.