

# sunlite®

## INSTALLATION INSTRUCTIONS

LED UFO HIGH BAY FIXTURE | 89780-SU, 89781-SU, 89782-SU, 89783-SU



**DIMMABLE**

Compatible with most wall based 0-10V dimming controllers

**Please read and understand this entire manual before attempting to assemble, operate or install the product.**



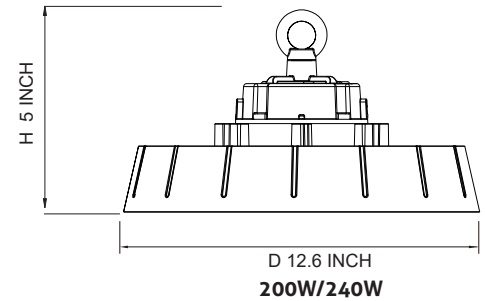
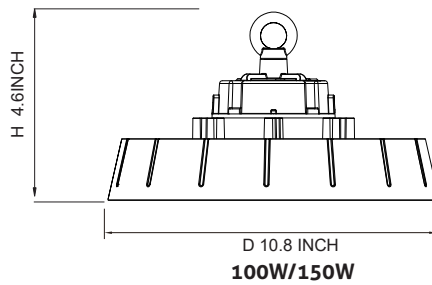
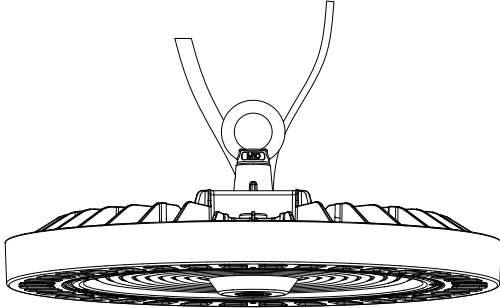
**WARNINGS & CAUTIONS:** Risk of fire or electric shock, avoid fire or electric shock. Turn off the power at fuse or circuit breaker box before installation and maintenance to avoid electric shock. Before installation thoroughly review enclosed installation manual. Suitable for 120-277 Volt fused circuits, This product must be installed in accordance with the applicable installation code by a person familiar with the construction and operation of the product and the hazards involved. If you do not have sufficient electrical wiring experience, please consult a qualified electrician. Consult a qualified electrician to ensure correct branch circuit conductor. Do not make or alter any open holes in an enclosure of wiring or electrical components during installation. Please wear gloves to avoid injury before installation. If the product is damaged, do not attempt installation and do not use. Not for emergency lighting. please use listed water proof strain relief bushing when connecting the supply cord to the outlet box. Operating temperature -40°C - 50°C (-40°F - 122°F). Suitable for wet locations.

**This device complies with part 15 of the FCC Rules. Operation is subject to the following two conditions: (1) this device may not cause harmful interference, and (2) this device must accept any interference received, including that may cause undesired operation.**

**Installation Methods:** Hook Mount (Ceiling Mount and 1/2" NPT Mount are optional.)

Retain these instructions for future reference.

**2022B**



## Installation

### PRE-INSTALLATION:

1. Turn power OFF from the electrical panel before starting installation.
2. Carefully remove the fixture from the carton, and check that all parts are included, as shown in figure.

### Hook Mount

1. Screw the hook into the fixture, tighten and fix it. (Fig. 1)
2. Hang the fixture on the ceiling hook or chain. (Fig. 2)
3. After installation, connect the wire of the fixture to the mains according to local wiring rules, ensure the connection is stable and protected on the connection.
4. Restore power at fuse or circuit breaker box.

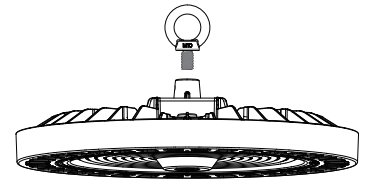


Fig. 1

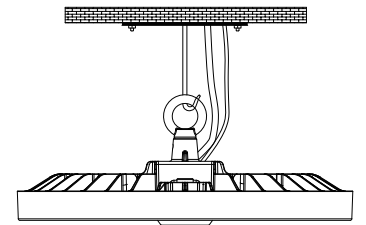
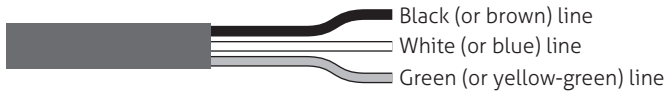
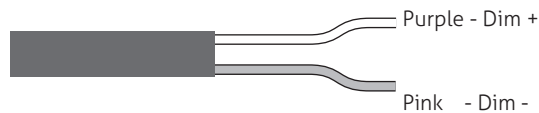


Fig. 2

### WIRING INSTRUCTION OF MAIN CABLE:



Connect Live Wire  
Connect Neutral Wire  
Connect Earth Wire



0(1)-10V Dimmer (0-10V Dimming Wiring)