

PST POST TOP AREA LIGHT

DESCRIPTION

naturaLED® has designed a sleek, contemporary post top fixture with one vertical mounting arm that creates a clean look and easier installation to retrofit on standard 2-3/8" tenons. Saving time and money by upgrading to LED. Our DLC premium open round post top light fixture replaces up to 250 watt metal halide fixtures and produces up to 9,361 lumens.

BENEFITS

- Sleek, contemporary design eliminates light trespass to avoid light pollution in the night sky.
- Optional accessory: Fixture is engineered so motion sensor can be built inside to preserve clean lines avoid certain weather conditions.

APPLICATIONS

Corporate Campus, Education, Healthcare, Parking Structure, Parks, Hospitalities, Walkways, Commercial office buildings, Landscape lighting may come into use

FEATURES

- DLC Premium Qualified
- IP65 Rated
- ETL Listed
- Sleek Design
- Unique design polycarbonate prismatic array lens
- Mounting: Fits 2-3/8" Tenon
- Input Voltage: 120-277V
- Power Factor >0.9
- Dimmable 1-10V
- Surge Protection: 4KV
- CRI: 80
- Beam Angle: 120°
- Operating Temperature: - 40°F - 140°F
- 5 Year Warranty
- Finish: Black
- Optional for Purchase: Photocell and Motion Sensor, Receptacle

PROJECT:

SCHEDULE:

DATE:




PREPARE BY:

NOTES:



Rated Life 50,000 Hours
Warranty 5 Years

ACCESSORIES

	Receptacle
	Photocell Sensor
	Motion Sensor

SAMPLE NUMBER LED-FX16PST35/840/BK

STYLE	FAMILY	DIAMETER	SERIES	WATTAGE	CRI/COLOR TEMP	COLOR
LED	FX	16	PST	35	840	BK
LED Lighting	Fixture	16-inch	Post Top	<35 Watt	CRI 80 4000K	Black



POST TOP AREA LIGHT

PARKING & AREA LUMINAIRES

ORDERING

*P= Premium DLC / *S = Standard DLC

Watts (W)	Ordering Code	Description	CCT (K)	Lumens (Lm)	Equiv. Wattage (W)	Dim (V)	IP65 Rated	DLC (S/P)
34	9297	LED-FX16PST35/840/BK	4000K	4,304	175	1-10V	•	P
34	9298	LED-FX16PST35/850/BK	5000K	4,374	175	1-10V	•	P
74	9299	LED-FX16PST73/840/BK	4000K	9,210	250	1-10V	•	P
74	9300	LED-FX16PST73/850/BK	5000K	9,361	250	1-10V	•	P

ACCESSORIES (Ordered Separately)

Emergency Driver



7334 BAEM15-48BC/MV-A
(15W CEC Compliant LED Emergency Driver)

Photocell Sensor (120-277V)



K141030 REC3PLK/PHO
(Photocell Sensor + 3 Prong receptacle kit)



P10053 SEN-PHO-LK-MT-SRT
(Twist Lock Mount Shorting Cap)

Motion/Daylight Sensor (120-277V)



P10234 SEN-MC605V-D
(Built in Motion Sensor 120-277V)

Receptacle (Up to 480V)



P10141 REC3PLK
(Receptacle Mount 3 Prong)

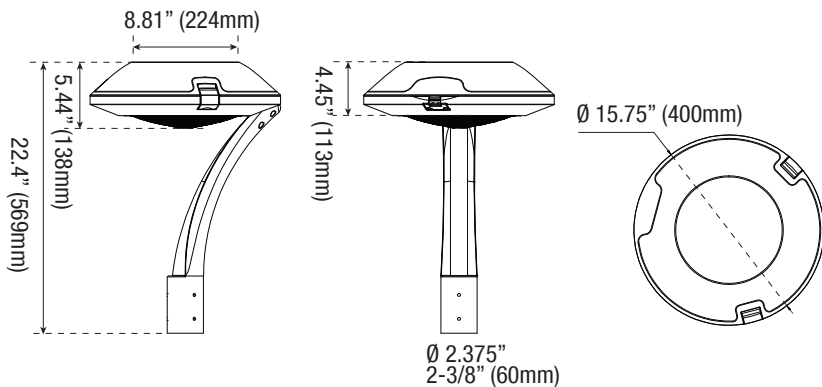


P10142 REC7PLK
(Receptacle Mount 7 Prong)

DIMENSIONS

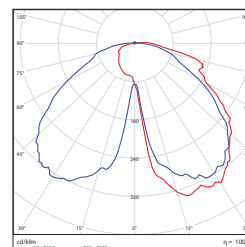
34W / 74W

12.35-lbs / 17.86-lbs with arm



PHOTOMETRICS CHART

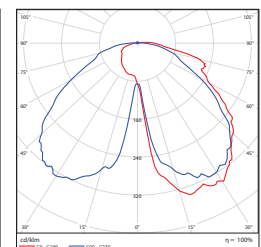
34 Watt DLC Premium



Distance	Center Beam fc		Beam Width	
	44.2 fc	8.1 ft	7.3 ft	14.5 ft
2.5R	11.1 fc	8.1 ft	7.3 ft	14.5 ft
5.0R	4.92 fc	12.2 ft	21.8 ft	21.8 ft
7.5R	2.77 fc	16.3 ft	29.0 ft	29.0 ft
10.0R	1.77 fc	20.3 ft	36.3 ft	36.3 ft
15.0R	1.23 fc	24.4 ft	43.6 ft	43.6 ft

■ Vert. Spread: 78.2°
■ Horiz. Spread: 110.9°

74 Watt DLC Premium



Distance	Center Beam fc		Beam Width	
	90.9 fc	3.3 ft	7.2 ft	14.5 ft
2.5R	22.7 fc <td>6.5 ft</td> <td>14.5 ft</td> <td>14.5 ft</td>	6.5 ft	14.5 ft	14.5 ft
5.0R	10.1 fc <td>9.8 ft</td> <td>21.7 ft</td> <td>21.7 ft</td>	9.8 ft	21.7 ft	21.7 ft
7.5R	5.60 fc <td>13.1 ft</td> <td>29.0 ft</td> <td>29.0 ft</td>	13.1 ft	29.0 ft	29.0 ft
10.0R	3.64 fc <td>16.4 ft</td> <td>36.2 ft</td> <td>36.2 ft</td>	16.4 ft	36.2 ft	36.2 ft
15.0R	2.53 fc <td>19.6 ft</td> <td>43.5 ft</td> <td>43.5 ft</td>	19.6 ft	43.5 ft	43.5 ft

■ Vert. Spread: 66.4°
■ Horiz. Spread: 110.8°

PACKAGE

Case Qty 1 pc

