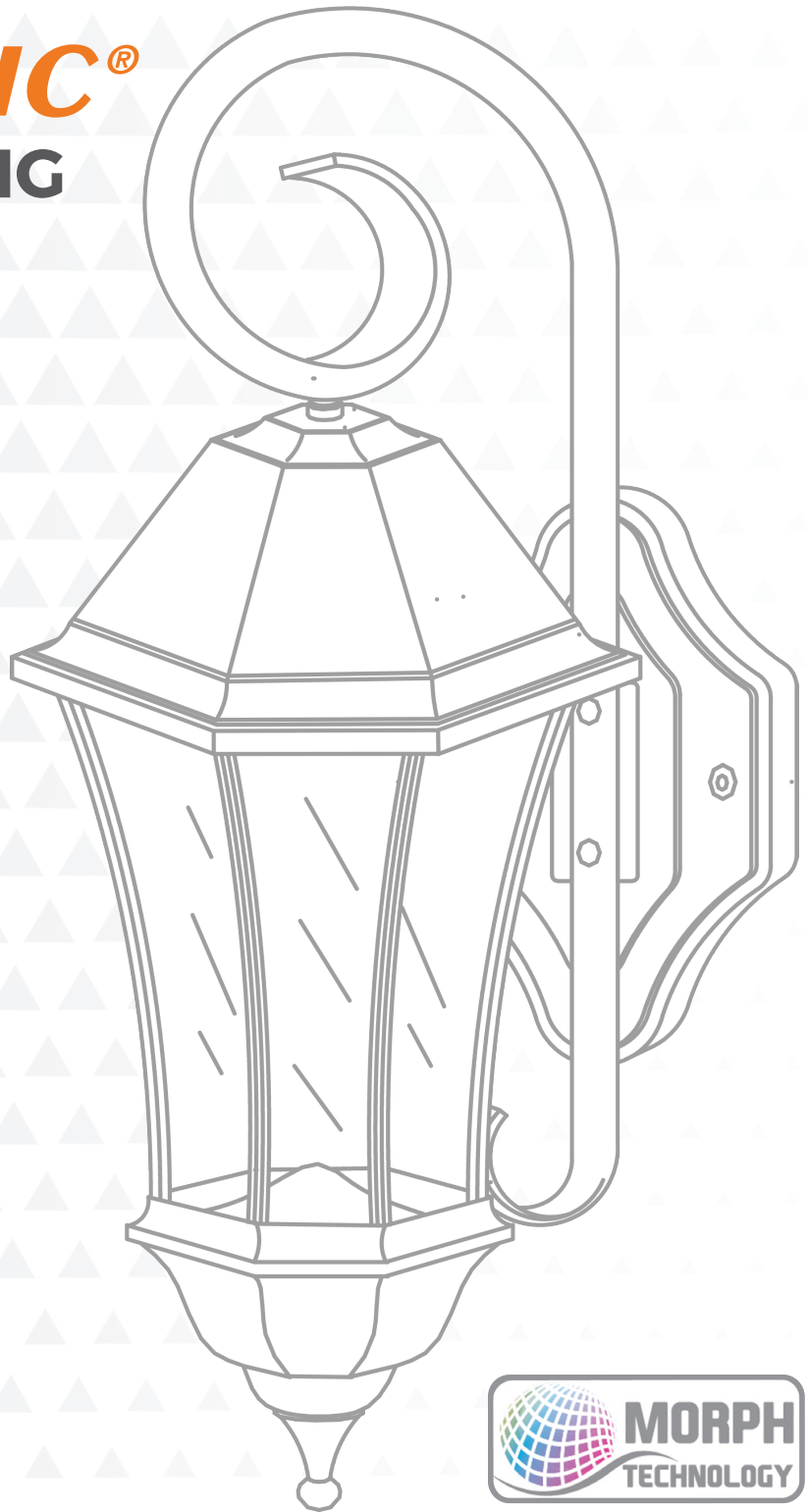


GAMA SONIC[®]
SOLAR LIGHTING



VICTORIAN BULB MORPH SOLAR LIGHT - WALL MOUNT

Part # 94BM50010

US patents
7172307, 9458970



Please read the instruction manual carefully to obtain the best results from your purchase.

Thank you for your purchase! GAMA SONIC® solar charged lights are brighter and last all night with a typical solar charge. Unique design, superior light output and numerous installation options confirm the outstanding value of our product. **GAMA SONIC®** has been recognized as a worldwide leader in the lighting industry for over 20 years.

Technical Assistance / Warranty Claims / Replacement Parts
Toll-Free number: +1-800-835-4113 (only within the US) or www.gamasonic.com

Visit our website or download the latest version of your instruction manual:
www.gamasonic.com or www.gamasonic.com/user-guides

Gama Sonic's New Morph Technology

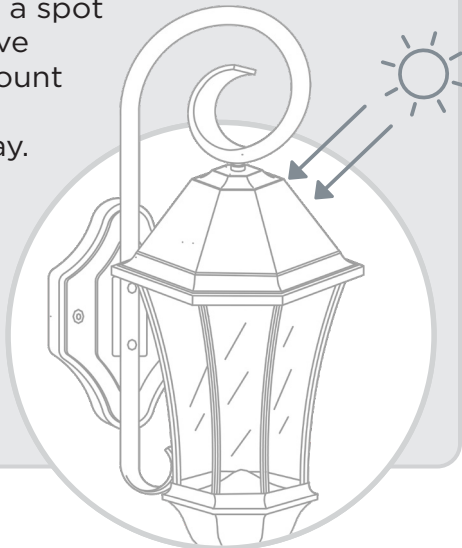
Gama Sonic's NEW Morph Solar Panel Technology is a groundbreaking process in the way we capture more power from the sun. Our Morph technology still uses monocrystalline solar panels. However, instead of the small sized solar panels, our new technology allows the solar panels to MORPH into the light fixture.



Solar Lamp Location

For optimum light duration throughout the night, it is very important to mount your solar lamp in a spot where it will receive the maximum amount of direct sunlight throughout the day.

NOTE: For best results, the solar light must be charged in the "High or Low" position for at least 2 days of full direct sunlight.

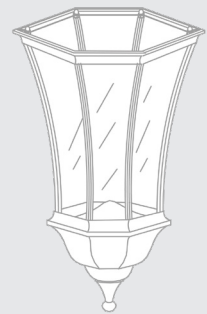


What's In The Box

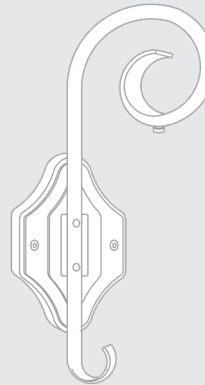
A



B



C



BULB



SCREWS & ANCHORS

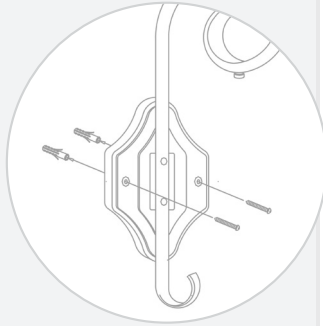
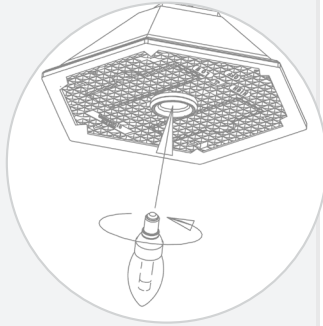


Assembly Instructions

1. Remove the top (A) from the fixture (B) by removing the two phillips head screws.
2. Install the GS Solar LED Bulb into the top.
3. Move the operation switch to your desired setting.
4. Attach the top (A) back to the fixture (B) and secure using the two phillips head screws removed earlier.
5. Place the wall bracket (C) in the desired mounting location.

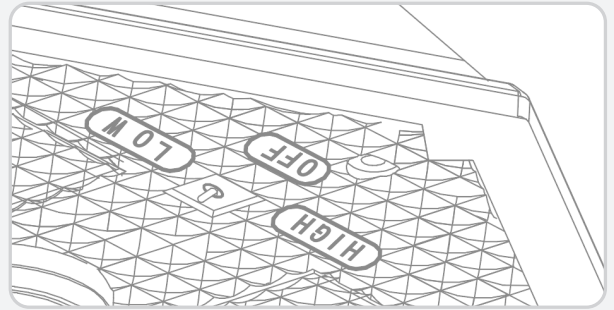
NOTE: Make sure the long arm of the bracket is on top

6. Using the bracket (C) as a template, mark where the two holes will need to be.
7. Using an electric drill, make two holes no larger than the size of the included anchors.
8. Place the anchors in the holes drilled.
9. Align the wall bracket (C) with the holes and secure it using the provided screws.
10. Attach the top (A) to the wall bracket (C) by screwing it in clockwise.



Operation Instructions

1. Insert the GS Solar LED Bulb into the top (A) by twisting clockwise.
2. Move the operation switch to the Low or High position according to your preferences:
 - Low = Softer light and longer duration**
 - High = Brighter light output**
3. The solar Lamp will automatically operate at dusk



Replacement Parts

Replacement Batteries and Bulbs are available at www.gamasonic.com or via our Toll Free number: +1-800-835-4113

Your Lamp can use the following bulbs:

C37WW10W – included bulb with Warm White LEDs (2700K)

C37BW10W – bulb with Bright White LEDs (6000K)

F30WW05W – Flame bulb with simulated flame LEDs

T45WW10W – Edison LED Bulb with Warm White LEDs (2700k)

Your lamp uses two of the following battery:

GS32V30

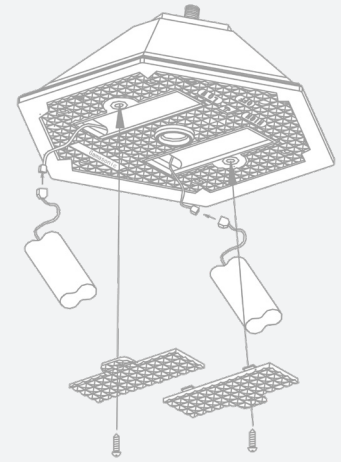




Replacing the battery

GAMA SONIC®
SOLAR LIGHTING

1. Remove the lamp from the wall bracket (C) by twisting it counterclockwise.
2. Remove the top (A) from the fixture (B) by removing the two phillips head screws.
3. Switch the lamp OFF and remove the bulb.
4. Remove the battery compartment cover screw and the cover.
5. Remove and unclip the battery.
6. Make sure the new battery is a high quality Li-Ion 3.2V/3000mAh battery with a matching connector (item GS32V30).
7. Clip in the new battery and install it in the compartment.
8. Replace the battery compartment cover and secure with the screw.
9. Repeat steps 4-8 for the other battery compartment.
10. Install the bulb and switch the lamp on to your desired setting.
11. Attach the top (A) to the fixture (B) and secure with the two phillips head screws.
12. Attach the lamp to the wall bracket (C) by twisting clockwise.



Batteries are available for purchase at www.gamasonic.com

WARNING: Do not dispose of Li-Ion batteries in the regular trash, municipal waste stream or by fire as batteries may leak or explode. Do not open, short circuit, or mutilate batteries as injury may occur. Preserve our environment by recycling Li-Ion batteries or disposing of them in accordance with local, State, and federal regulations. Do not mix old and new batteries.

Maintenance

Clean the solar panels regularly with a damp towel to guarantee optimum performance. Do not use any type of solvent for cleaning and be careful not to put too much pressure on the solar panels while cleaning.

Troubleshooting

If your solar light does not come on as expected despite observance of all the instructions, please try the following steps:

1. Make sure that the solar lamp is not being affected by any other light source.
2. Ensure the solar lamp is not positioned in the shade during the day.
3. Check that the batteries are installed correctly.

NOTE: The performance of the solar lamp will vary with the time of year. It will last longer when it has had a full day in the sun rather than a day in overcast weather.



WINTERTIME TIPS: For optimal performance, be sure to remove any snow or debris accumulation from solar panel(s). A solar panel free of debris will charge the batteries much more efficiently.

WARNING: Please keep out of reach of children. Do not dispose of the Li-Ion battery in the regular trash, municipal waste stream or by fire as batteries may leak or explode. Do not open, short circuit, or mutilate batteries as injury may occur. Preserve our environment by recycling Li-Ion batteries or disposing of them in accordance with local, State and federal regulations. Do not mix old and new batteries.

