

GAMA SONIC[®]

SOLAR LIGHTING



VICTORIAN BULB SOLAR LAMP WITH MOTION SENSOR – 3 MOUNTING OPTIONS

Part #: 94BS50033

 Please read the instruction manual carefully to obtain the best results from your purchase.

Thank you for your purchase! GAMA SONIC® solar charged lights are brighter and last all night with a typical solar charge. Unique design, superior light output and numerous installation options confirm the outstanding value of our product. GAMA SONIC® has been recognized as a worldwide leader in the lighting industry for over 20 years.

Technical Assistance/Warranty Claims/Replacement Parts
Toll Free Number: +1-800-835-4113 (only within the US) or www.gamasonic.com

Visit our website or download the latest version of your instruction manual:
www.gamasonic.com or www.gamasonic.com/user-guides

GAMA SONIC'S BULB TECHNOLOGY

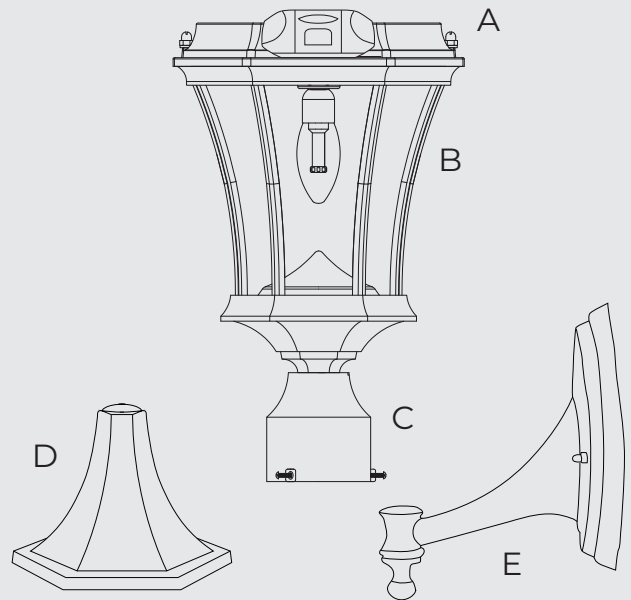
Gama Sonic's patented Bulb technology gives your solar lamp the look and feel of a traditional incandescent lamp. This paired with our patented cone reflector helps to distribute light further than traditional solar lamps.

1. Solar Lamp Location

For optimum light duration throughout the night, it is very important to mount your solar lamp in a spot where it will receive the maximum amount of direct sunlight throughout the day. The solar light must be charged in full sun for two days for the best results.

2. What's in the Box

A = Top D = Pier Base
B = Fixture E = Wall Mount
C = 3" Fitter



For best results, the solar light must be charged in the "ON" position for at least 2 days of full direct sunlight.

3. Assembly Instructions

NOTE: The following steps are for reference only. Consult your local hardware store for the best installation method for your surface.

1. Remove the top (A) from the fixture (B) by unscrewing the two screws on the top.
2. Install the GS Solar LED Bulb into the top (A) by twisting it clockwise. Be sure to hold the bulb by its base.
3. Place the top (A) on the fixture (B) and secure using the two screws.

A. 3" Fitter Mount

Note: If you are replacing an existing gas/electric post light, you must consult a certified technician to disconnect them before installation.

- Begin by attaching the Fitter (C) to the fixture (B) and secure it using the included lock washer and nut.
- Place part (C) on your existing 3" pole and secure with the provided set screws.
- Be sure to not overtighten the screws.

B. Pier (Flat) Mount

Using the pier mount (D) as a template, drill two holes in the desired mounting location.

- Place the anchors in the holes and secure the mount (D) to the surface using the provided screws.
- Attach the fixture (B) to the mount (D) by twisting the fixture clockwise.

C. Wall Mount

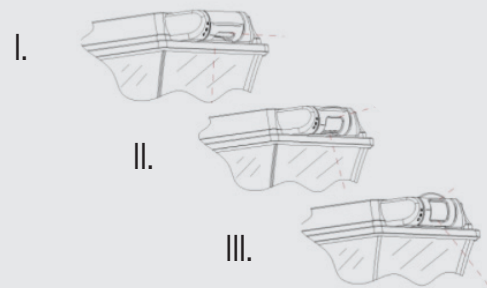
Note: Installing the light on a wall may limit the solar panel for sun exposure. Make sure the lamp is mounted so direct sun exposure is available.

- Remove the circular wall plate from the Wall Mount (E) by removing the two screw caps.
- Using the circular wall plate as a template, mark and drill two holes in your wall.
- Insert two anchors in the holes and secure the circular wall plate using the provided screws.
- Attach the fixture (B) to the mount (E) by twisting the fixture clockwise.
- Attach the lamp to the circular wall plate by lining up the holes in the mount (E) with the screws on the plate. Secure using the two screw caps.

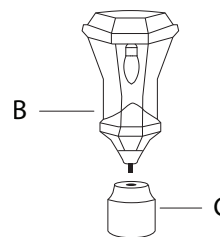
4. Operation Instructions

Locate the operation switch on the outside of the top (A).

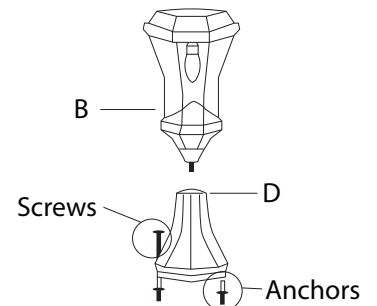
1. Switch the lamp to either the On or PIR Only setting according to your preference:
2. On = Light will remain at low setting until motion is detected. When motion is detected, it will go to high for 45 seconds.
3. PIR Only = Light will remain off and turn on high for 45 seconds when motion is detected.
4. The Motion sensor can be adjusted to 3 levels to adjust its sensitivity. Position the sensor on the lamp to match your desired setting below:
 - I. Short Distance: 8-12 ft
 - II. Medium Distance: 12-15 ft
 - III. Long Distance: 20-25 ft
5. The lamp will operate automatically at dusk.



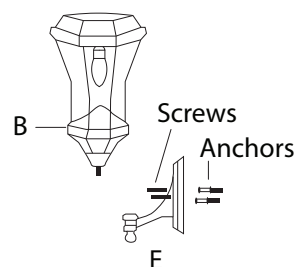
A. 3" Fitter - GS-94NF-PIR



B. Pier Mount - GS-94FPW-PIR



C. Wall Mount - GS-94NW-PIR





Replacing the Batteries

GAMA SONIC®
SOLAR LIGHTING

After several years of use, the battery may need replacing. This model features two (2) battery compartments. This light comes with one (1) pre-installed battery (included), and you have the OPTION to add a second battery. This is a unique feature designed to give you more choices to prolong the duration of your solar light. Use this option if your light is exposed to the sun for more than 4 hours a day. Shorter exposure will NOT charge the second battery and therefore it is not necessary.

Replacing/Adding Secondary Battery:

1. Turn the lamp to the OFF position.
2. Remove the two screw caps from the top (A) and remove the top from the fixture (B).
3. Remove the GS Solar LED Bulb
4. Unscrew the battery compartment screw and remove the battery compartment door.
5. Remove the battery and unclip the connector.
6. Make sure the new battery is a Gama Sonic Li-Ion 3.2V/3000mAh battery with matching connector.
7. Clip in the new battery and reassemble the lamp by reversing steps 1-4.

Replacement Batteries and Bulbs are available at www.gamasonic.com

or via our Toll Free number: **+1-800-835-4113**.

Your Lamp can use the following bulbs:

C37WW10W – included bulb with Warm White LEDs (2700K)

C37BW10W – bulb with Bright White LEDs (6000K)

F30WW05W – Flame bulb with simulated flame LEDs

Your Lamp uses the following battery:

GS32V30 – Li-Ion 3.2V/3000mAh

Replacement Batteries and Bulbs are available at www.gamasonic.com or via our Toll Free number: **+1-800-835-4113**.

Maintenance

Clean the solar panels regularly with a damp towel to guarantee optimum performance. Do not use any type of solvent for cleaning and be careful not to put too much pressure on the solar panels while cleaning.

Troubleshooting

If your solar light does not come on as expected despite observance of all the instructions, please try the following steps:

1. Make sure that the solar lamp is not being affected by any other light source.
2. Ensure the solar lamp is not positioned in the shade during the day.
3. Check that the batteries are installed correctly.

NOTE: The performance of the solar lamp will vary with the time of year. It will last longer when it has had a full day in the sun rather than a day in overcast weather.



WINTERTIME TIPS: For optimal performance, be sure to remove any snow or debris accumulation from solar panel(s). A solar panel free of debris will charge the batteries much more efficiently.

WARNING: Please keep out of reach of children. Do not dispose of the Li-Ion battery in the regular trash, municipal waste stream or by fire as batteries may leak or explode. Do not open, short circuit, or mutilate batteries as injury may occur. Preserve our environment by recycling Li-Ion batteries or disposing of them in accordance with local, State and federal regulations. Do not mix old and new batteries.

