

PROJECT NAME: _____ CAT. #: _____
 NOTES: _____ FIXTURE SCHEDULE: _____

120-277V Network Power Pack

Sharkward Overview

The Sharkward Bluetooth Lighting Control provides automated individual and group control of light fixtures using on sensors and Bluetooth mesh technology .
 The BRI-PP01 mounted in an Indoor lighting fixture and provides multi-level control solution based on motion and or daylight harvesting contribution.



BRI-PP01

Features

- Lighting controls meet design lights consortium (DLC) networked lighting control system technical requirements (Version NLC5 June 23, 2020).
- Quick connect and adjust different sensor angle.
- Easy commissioning with tuya/sharkward App (Available in IOS and Android).
- Bluetooth network with SaaS working by computer
- Individual addressability and/or grouping.
- Time clock scheduling for individual lights, groups or scenes.
- Multi-level dimming: manual ON/OFF automatic ON/OFF, and automatic partial ON/OFF.
- 5 Year Warranty

Ordering Information

MODEL NUMBER	DESCRIPTION
BRI-PP01	NETWORK NODE RECTANGULAR, WHITE

Specifications:

	BRI-PP01
OPERATING VOLTAGE	120-277Vac, 50-60Hz
MAXIMUM LOAD	5A, 600W Max. for LED driver only
CONTROL OUTPUT	2-channel 0-10V output signals, 1 for dimming, 1 for CCT
SINKING CURRENT	max. 25mA
RADIO FREQUENCY	2.4GHz ± 75MHz
WIRELESS STANDARD	BLE 4.2 MESH IEEE 802.15.1
PROGRAMMING	Tuya/sharkward App mobile app (IOS and android) or SaaS
CYBERSECURITY	UL1376
ENCRYPTION	AES 128-bit
MESH RANGE	100ft node-to-node and 50ft node-to-device (Commissioning)
SAFETY	cULus Listed
FCC	FCC ID:
OPERATING TEMPERATURE	-40°F ~ +158°F (-40°C ~ +70°C)
COLOR	White

Applications:

Ideal for retrofit applications with existing 0-10V LED luminaires:

- Downlights
- Pendant Lights
- Lowbays/Highbays
- Track Lighting



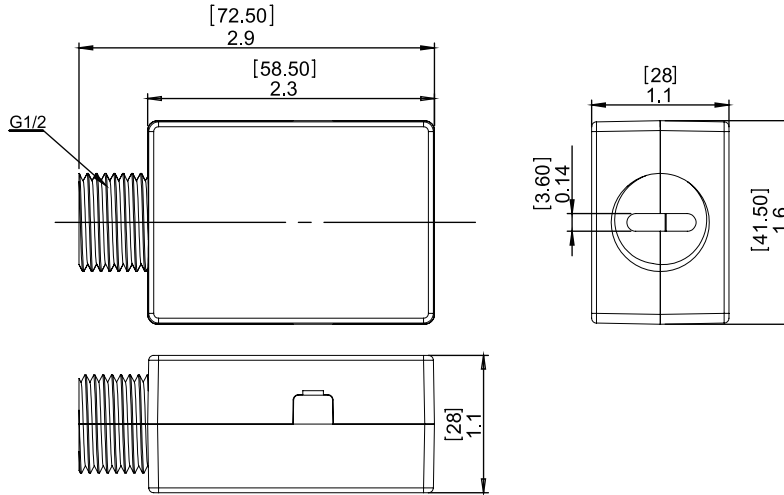
5-year standard warranty (further details available at www.sharkward.com) Product may be eligible for a warranty extension to 10 years, for an additional fee. Contact sharkward for details.

PROJECT NAME: _____ CAT. #: _____
 NOTES: _____ FIXTURE SCHEDULE: _____

120-277V Network Power Pack

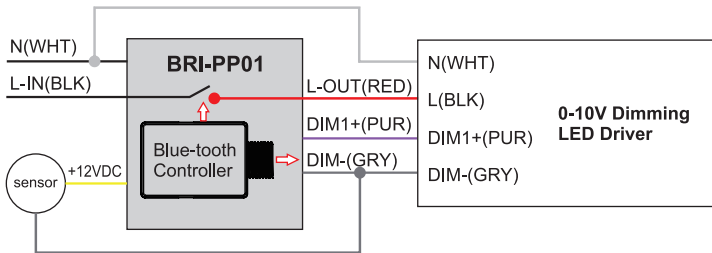
Product Dimensions

BRI-PP01

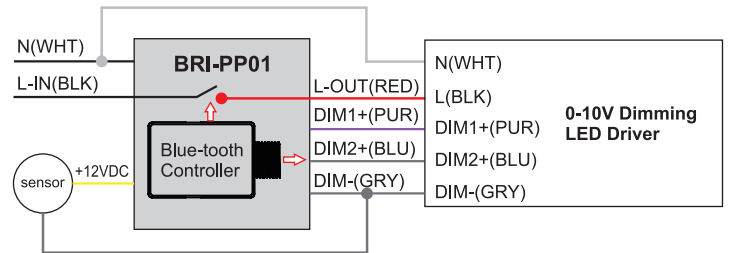


Wiring Diagrams

BRI-PP01



One-channel Brightness Dimming Application



Two-channel Color Tuning Application

Commissioning

Tuya/Sharkward mobile App makes it easy to pair devices, create groups, set scenes/schedules, customize dimming levels, and adjust high trim based on application needs.



5-year standard warranty (further details available at www.sharkward.com) Product may be eligible for a warranty extension to 10 years, for an additional fee. Contact sharkward for details.