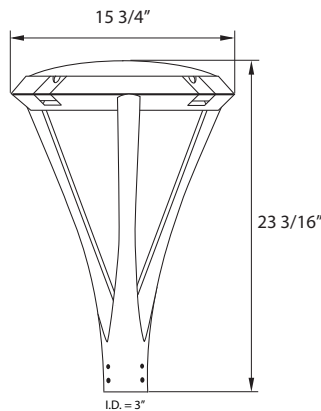


## POST TOP FIXTURE C42T

## COMMERCIAL LIGHTING



Wave Lighting's commercial product line provides safety and security for all types of applications including parks, pedestrian walkways, and parking areas. Our C42T fixture is available in LED and fits on any standard 3" diameter commercial pole (sold separately) with set screws (provided).

**EPA 0.83ft<sup>2</sup>**  
**WT 25.6lbs**

IES FILES AVAILABLE ONLINE  
AT [WAVELIGHTING.COM](http://WAVELIGHTING.COM)

### SPECIFICATIONS

- Cast Aluminum Housing
- Stainless Steel Set Screws
- Black, White, or Bronze Finish
- Clear Glass Lens
- ETL Listed for Wet Locations



### LIGHT SOURCE OPTIONS

#### DEDICATED LED SYSTEM - L

- 120-277V, 50/60Hz
- 150W or 250W Metal Halide Equivalent
- Estimated 50,000 Hrs L<sub>70</sub>
- Max 20kA Surge Supression
- 3000K, 4000K, or 5000K CCT 80CRI
- Type 5 (Standard) or Type 3 Distribution
- 0 - 10V Dimming
- 5 Year Warranty

GUIDE CODE: C42TC-L40C -BK

CALL FOR PHOTOMETRIC INFORMATION

ITEM #	LENS	LED LIGHT SOURCE	CCT	COLOR	OPTIONS
C42T	GLASS C-Clear	120-277V DEDICATED LED		BK-Black BZ-Bronze WH-White	T3-Type 3 Distribution (Type 5 Standard)
		L40-40W 4000lm L60-60W 6000lm	C-4K W-3K B-5K		