

TENON ADAPTER

External Tenon Reducer for Round Poles



3" Round Pole Mount with 2-3/8" O.D. Tenon Reducer

NO. XAP-ETRR3-2-A

Color: Dark Bronze

Apply: This Tenon reducer is used over 3" non-tapered round pole. Fished with there 5/16" external hex head stainless-steel bolts. Vertical tenon measures 2-3/8" O.D., and is made of steel tubing. Fixtures mounted to this bracket can be adjusted both vertically and horizontally.

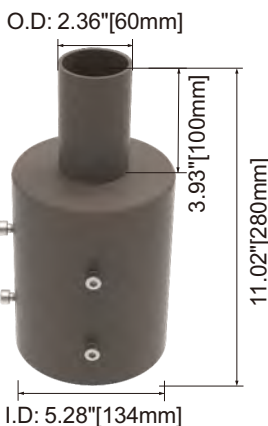


4" Round Pole Mount with 2-3/8" O.D. Tenon Reducer

NO. XAP-ETRR4-2-A

Color: Dark Bronze

Apply: This Tenon reducer is used over 4" non-tapered round pole. Fished with there 5/16" external hex head stainless-steel bolts. Vertical tenon measures 2-3/8" O.D., and is made of steel tubing. Fixtures mounted to this bracket can be adjusted both vertically and horizontally.



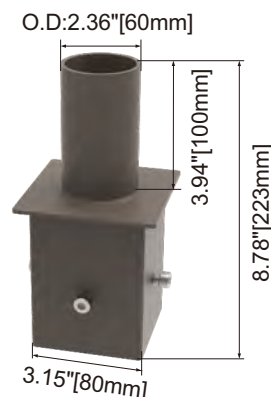
5" Round Pole Mount with 2-3/8" O.D. Tenon Reducer

NO. XAP-ETRR5-2-A

Color: Dark Bronze

Apply: This Tenon reducer is used over 5" non-tapered round pole. Fished with there 5/16" external hex head stainless-steel bolts. Vertical tenon measures 2-3/8" O.D., and is made of steel tubing. Fixtures mounted to this bracket can be adjusted both vertically and horizontally.

Internal Tenon Adapter for Square Poles

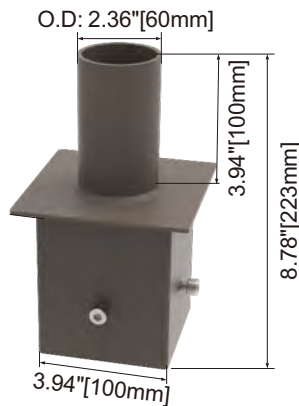


4" Square Pole Mount with 2-3/8" O.D. Tenon Adapter

NO. XAP-ITASQ4-2-A

Color: Dark Bronze

Apply: Mount inside of 4" square pole. Fished with for 5/16" external hex head stainless-steel bolts. Vertical tenon measures 2-3/8" O.D., and is made of steel tubing. Fixtures mounted to this bracket can be adjusted both vertically and horizontally.



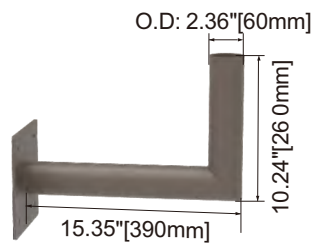
5" Square Pole Mount with 2-3/8" O.D. Tenon Adapter

NO. XAP-ITASQ5-2-A

Color: Dark Bronze

Apply: Mount inside of 5" square pole. Fished with for 5/16" external hex head stainless-steel bolts. Vertical tenon measures 2-3/8" O.D., and is made of steel tubing. Fixtures mounted to this bracket can be adjusted both vertically and horizontally.

External Tenon Bracket

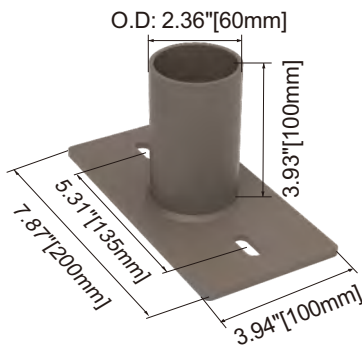


Angled Wall Mount Tenon Bracket

NO. XAP-WM-VT-2-A

Color: Dark Bronze

Apply: The 90° wall mount with 2-3/8" tenon bracket attaches LED Light to almost any surface, wall, roof, or wood pole. Provides wiring access and built-in 2-3/8" O.D. tenon to mount a fixture with our adjustable slip fitter. Suggested 3/8" diameter bolts for mounting. Mounting holes are spaced 3-1/4" apart.



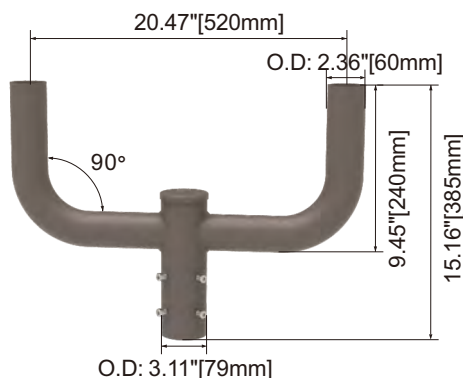
Horizontal Wall Mount Tenon Bracket

NO. XAP-WM-HT-2-A

Color: Dark Bronze

Apply: This Tenon bracket can be install onto a wall or square pole, the used for mounting a fixture with an adjustable slip fitter.

Round External Mount Vertical Tenon



Bullhorn with Dual Vertical Tenon adapter 20.5" Spread

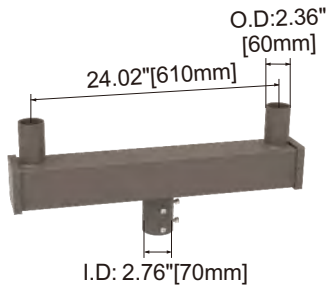
NO. XAP-DBH-VT-2-A

Color: Dark Bronze

Apply: The bracket is designed to mount over 2-3/8" (60mm) O.D. tenon. Two fixtures can be mounted to the round top mount tenon and adjustable fitters

TENON ADAPTER

Low Profile Bullhorn With Vertical Tenons

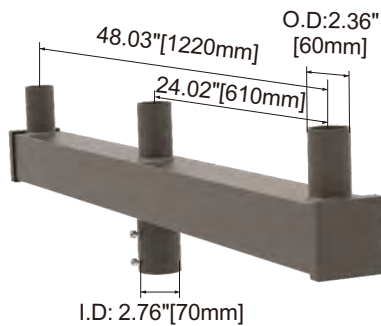


Low Profile Bullhorn with 2 Vertical Tenons at 180° Adapter

NO. XAP-LPB2-VT-2-A

Color: Dark Bronze

Apply: The bracket is designed to mount over two fixtures with 2-3/8" slipfitter, the Bottom portion is 3 inch round pole.

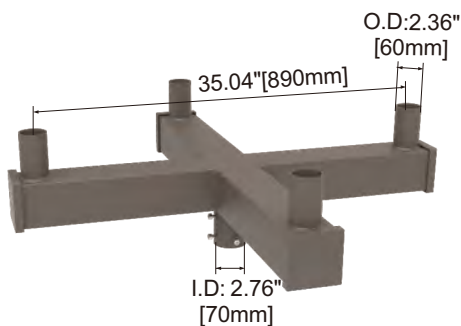


Low Profile Bullhorn with 3 Vertical Tenons at 180° Adapter

NO. XAP-LPB3-VT-2-A

Color: Dark Bronze

Apply: The bracket is designed to mount over three fixtures with 2-3/8" slipfitter, the Bottom portion is 3 inch round pole.



Low Profile Bullhorn with 4 Vertical Tenons at 90° Adapter

NO. XAP-LPB4-VT-2-A

Color: Dark Bronze

Apply: The bracket is designed to mount over four fixtures with 2-3/8" slipfitter, the Bottom portion is 3 inch round pole.