



Introduction

- ◆ The WPD series is available in lumen packages from 4,650 to 19,375 lumens with a wide and even distribution. Since WPD occupies the same area as a typical metal halide glass wall pack, it can completely cover unsightly stains.
- ◆ A high-quality polycarbonate lens, which work with a high-efficiency light engine to provide superior illumination.
- ◆ Available with Emergency battery backup, and Photocell.



Features

Construction:

- ◆ Rugged die-casting aluminum housing with bronze powder coating for durability. Castings are sealed with integral gaskets to prevent the ingress of external contaminants. It has 4-6KV surge protection. Consult factory for Photocell surge ratings.

Optics:

- ◆ The light engine configuration includes high-efficiency LEDs. Color temperature (CCT) options are 4000K, 5000K single color and 3000K/4000K/5000K selectable, with a minimum CRI of 70.

Electrical:

- ◆ The Input voltage is AC120-277V/AC120-347v (50/60Hz). Electronic drivers ensure system power factor >90%. 0-10V dimming driver is standard.

Finish:

- ◆ Standard color is dark bronze

Warranty:

- ◆ Standard 5 years warranty

Product Selectable:



WATTAGE SELECTABLE



WATTAGE SELECTABLE



WATTAGE SELECTABLE



CCT SELECTABLE

Compliances:

- ◆ cULus listed for wet locations, max ambient temperature rating 45°C
- ◆ DLC® (DesignLights Consortium) Qualified. Please refer to the DLC website for specific product qualifications at www.designlights.org.



Wattage & CCT Selectable - Dial in the desired lumens and CCT via the dial located in the fixture.



The geometry covers the footprint of a typical HID wall pack, covering any unsightly stains.



Emergency test button and indicator



Ordering Guide

EXAMPLE:XY-WPD(63/45/30)W-50KUV-ZK

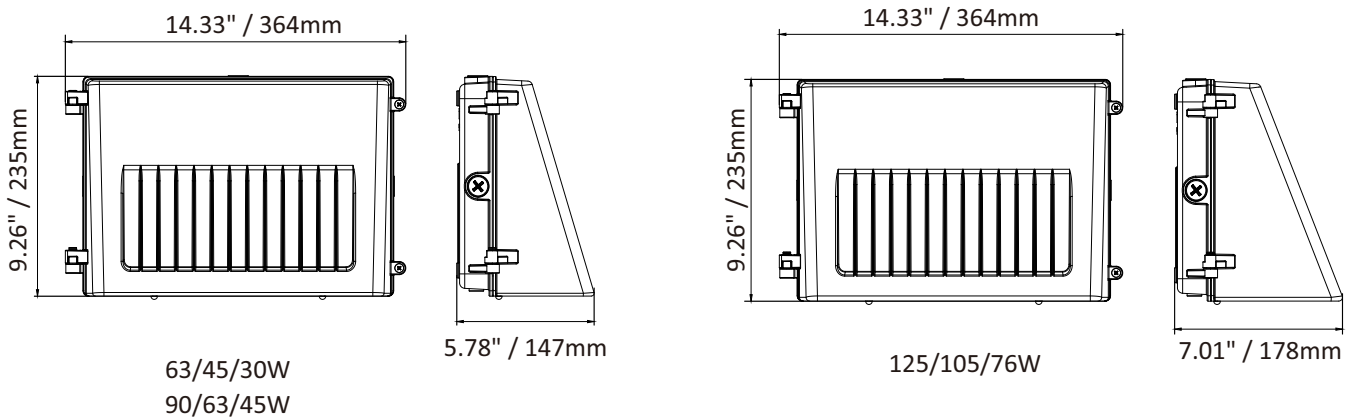
Brand	Product name WPD	Wattage XXXW	CCT XXK	Input Voltage AA	Photocell Z	Emergency Battery K
CE	WPD	30W 45W (63/45/30)W (90/63/45)W (125/105/76)W	40K=4000K 50K=5000K (30/40/50)K	UV=120-277V LV=120-347V	Blank=without photocell P=with photocell	Blank=without emergency, E=with emergency

Parameters

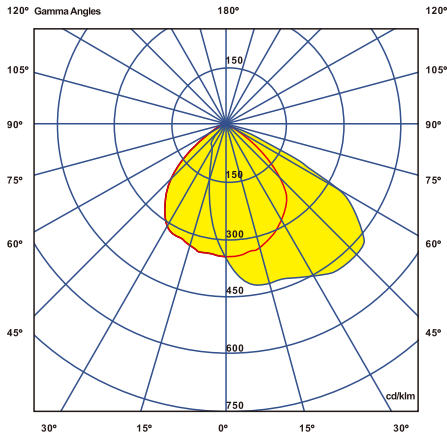
Model #	Wattage	Lumens @50K	Input voltage	CRI	CCT
XY-WPD30W-XXKAA-ZK	30W	4650lm	AC120-277V AC120-347V	>70	40K 50K
XY-WPD45W-XXKAA-ZK	45W	6975lm			
XY-WPD(63/45/30)W-XXKAA-ZK	(63/45/30)W	Max. 9765lm			
XY-WPD(90/63/45)W-XXKAA-ZK	(90/63/45)W	Max. 13950lm			
XY-WPD(125/105/76)W-XXKAA-ZK	(125/105/76)W	Max. 19375lm			30/40/50K selectable
XY-WPD(63/45/30)W-(30/40/50)KAA-ZK	(63/45/30)W	Max. 9765lm			
XY-WPD(90/63/45)W-(30/40/50)KAA-ZK	(90/63/45)W	Max. 13950lm			
XY-WPD(125/105/76)W-(30/40/50)KAA-ZK	(125/105/76)W	Max. 19375lm			

Dimension

unit:inch/mm



Photometrics



Accessories



Photocell



8W Emergency battery backup
(apply to 30W-125W WPD)

Electrical data

Voltage (V)	Model Series				
	WPD30W Current (A)	WPD45W Current (A)	WPD(63/45/30)W Max Current (A)	WPD(90/63/45)W Max Current (A)	WPD(125/105/76)W Max Current (A)
120V	0.25	0.38	0.53	0.75	1.04
208V	0.14	0.22	0.30	0.43	0.60
240V	0.13	0.19	0.26	0.38	0.52
277V	0.11	0.16	0.23	0.32	0.45
347V	0.09	0.13	0.18	0.26	0.36