

3CCT G2 Emergency T8 (For On/Off Applications) **ALEDDRA**



3CCT Version



Specifications

Color Temperature	3CCT (3500K/4000K/5000K)
Wattage	8W / 15 W
Length	2ft / 4ft
CRI	>80
Input Voltage	AC100-277V
Light Output	960lm (2ft), 1800 lm (4ft)
LED Type	SMD2835
Power Factor	>0.92
Luminous Efficiency	>120 lm/W
Emergency Time	90 minutes
Light Output on Battery	420 lm at 3.5W
Battery Operating Temperature	68°F ~ 104°F
Rated Hours	50,000 hours

Ordering Information

Product Model #	Wattage	length
LLT-4-EM-T8-G2-15W-3CCT	15W	4ft
LLT-2-EM-T8-G2-8W-3CCT	8W	2ft

Features

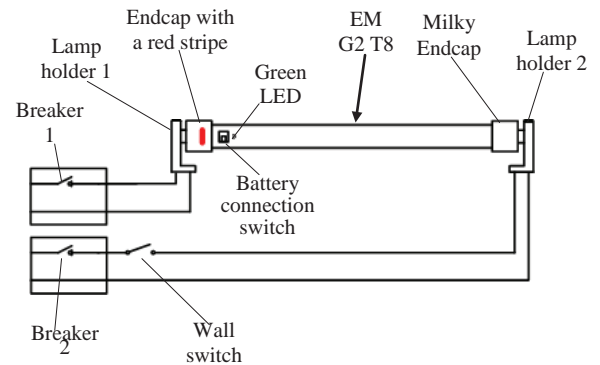
- 2-in-1 tube: regular T8 lighting and emergency lighting
- Built-in lithium batteries
- Controllable by wall switch
- Easy battery shutoff switch for a long stocking time
- Easily select from three different color temperatures (3500K, 4000K, 5000K)
- Patented (for details, please click here.)
- 5-year warranty

Product Compliance & Certifications:

- DLC 5.1 Listed
- ETL Certified
- 90 minutes battery time per industry standard

* The Emergency Tube meets the performance requirements of UL924 but not UL924 certified because it is an attachable emergency lighting equipment.

Wiring Diagram



- Red-labeled endcap wired L & N to a constant-on circuit for charging the battery.
- White endcap wired L & N to a switched circuit for turning on/off the lamp.

Description

With two single-end wired sockets, one endcap of the G2 emergency T8 (3CCT version) is connected to the emergency power line and another to the wall switch, thus making it easy to turn on and off the T8 through the wall switch. During power outage, the emergency T8 automatically draws power from its built-in battery and lasts more than 90 minutes on battery at 420 lm. With its price point, the G2 emergency T8 is the most cost-effective emergency lighting option for replacing the expensive emergency ballast. Please follow the installation instruction to wire the G2 emergency T8.

* No Aleddra Emergency tubes can be used with an emergency or standard ballasts. The existing ballasts must be removed or by-passed.

* The 5-year warranty is provided under the assumption of performing no more than two 90-min battery discharge tests annually over five years. The warranty is void if performing more than ten 90-min battery discharge tests in five years.