

G4 Emergency T8

ALEDDRA



Features

- 2-in-1 tube: regular T8 lighting and emergency lighting
- Manual testing button
- Automatic self-testing: 30-second test monthly and 90-minute test annually
- Self-diagnosis with flashing indicator if the battery time drops below 90 minutes
- Built-in lithium batteries
- Controllable by wall switch
- Easy battery shutoff switch for a long stocking time
- Patented

Product Compliance & Certifications:

- ETL certified for Type B (ballast bypass)
- DLC Listed
- IES Progress Report 2020 Selection
- 90 minutes battery time per industry standard

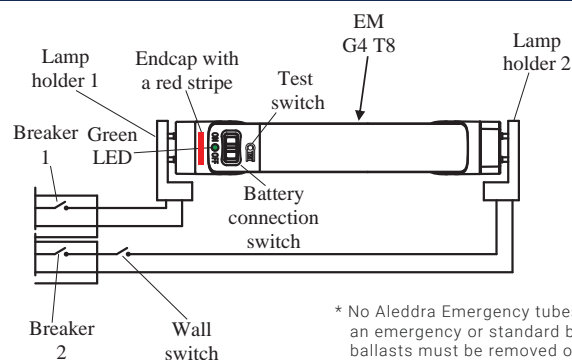
* The Emergency Tube meets the performance requirements of UL924 but not UL924 certified because it is an attachable emergency lighting equipment.

Specifications

Color	3000K - 6000K
Wattage	8W / 15W
Length	2-ft / 4-ft
CRI	>80
Input Voltage	AC100-277V
Light Output	1800 lm
LED Type	SMD2835
Power Factor	>0.92
Luminous Efficiency	>120 lm/W
Emergency Time	90 minutes
Light Output on Battery	420 lm at 3.5W
Battery Operating Temperature	50°F ~ 110°F
Rated Hours	50,000 hours
Warranty	5-year *

* The 5-year warranty is provided under the assumption of performing no more than two 90-min battery discharge tests annually over five years. The warranty is void if performing more than ten 90-min battery discharge tests in five years.

Wiring Diagram



* No Aleddra Emergency tubes can be used with an emergency or standard ballasts. The existing ballasts must be removed or by-passed.

Description

Aleddra's Gen4 Emergency T8 lamp sets another industry standard as the first self-testing/self-diagnosis T8. The lamp operates as an energy-efficient T8 during normal operation and can be turned on/off via a wall switch. During power outage, it will last over 90 minutes on battery. More importantly, the lamp will automatically self-test for 30 seconds monthly and for 90 minutes annually, thus meeting the emergency lighting audit requirements with no labor cost. This saves a facility management team a tremendous amount of labor from manually testing every single lamp of this kind in its facilities. Should any malfunction be detected during self-testing, such as insufficient battery capacity, the warning indicator on the lamp will flash and alert the team. With its labor saving, the lamp gives the end user the best return on investment and the best emergency lighting option. Please follow the installation instruction to wire the lamp.

Ordering Information

Product Model #	Wattage	Color	length
LLT-2-EM-T8-G4-8W-40K	8W	4000K	2ft
LLT-2-EM-T8-G4-8W-50K	8W	5000K	2ft
LLT-4-EM-T8-G4-15W-30K	15W	3000K	4ft
LLT-4-EM-T8-G4-15W-35K	15W	3500K	4ft
LLT-4-EM-T8-G4-15W-40K	15W	4000K	4ft
LLT-4-EM-T8-G4-15W-50K	15W	5000K	4ft
LLT-4-EM-T8-G4-15W-60K	15W	6000K	4ft