



## Features

- Great heat dissipation
- Light weight
- Same form factor as HID lamps
- Easy to install and operate
- Type B installation (ballast bypass)
- Energy savings of more than 75% over conventional HID metal halide lamps

## Product Compliance & Certifications:

- ETL Listed

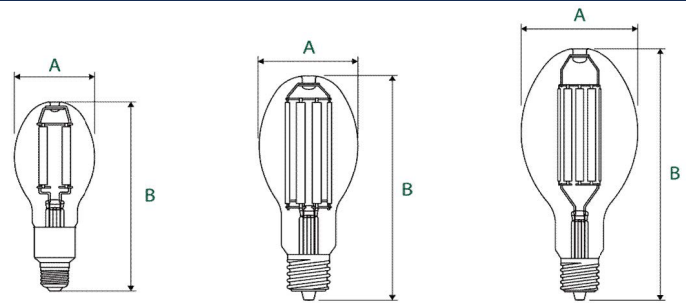
## Specifications

<b>Wattage</b>	15W, 40W, 55W, 65W, 85W
<b>Color Temperature</b>	2200K, 5000K
<b>Beam Angle</b>	360°
<b>Input Voltage</b>	120-277 VAC
<b>Power Factor</b>	0.9
<b>CRI</b>	>80
<b>Efficacy</b>	145 ~180 LM/W
<b>Dimming</b>	Non-dimmable
<b>Operating Temp.</b>	-4° to 113° F
<b>Rated Life</b>	25,000 hrs
<b>Warranty</b>	2-year

## Description

The new HID Replacement LED Filament Lamps offer an easy and short payback solution to replace High Intensity Discharge (HID) lamps. They bring all the energy efficiency and long-life benefits of LED to HID replacement, while providing instant savings from a low initial investment. These lamps are designed with an optimal lamp size as well as light distribution with a familiar look and feel as conventional HID lamps. What sets them apart is the innovative High-Power LED filament technology enclosed in a glass bulb, ensuring a distinctive lighting experience. They are easily retrofit for outdoor and indoor applications.

## Dimensions



**15W:**  
A - 2.12inch  
B - 6.14inch

**40W:**  
A - 3.54inch  
B - 9.25inch

**55W**  
A - 4.72inch  
B - 11.22inch  
**65W/85W:**  
A - 4.72inch  
B - 11.5inch

## Ordering Information

Product Model #	HID Equivalent Highest Wattage (W)	Lumen	Base
HiLED 15W/ED17/E26/2200K	50W	2175lm	E26
HiLED 15W/ED17/E26/5000K	50W	2175lm	E26
HiLED 40W/ED28/EX39/5000K	250W	7200lm	EX39
HiLED 55W/ED37/EX39/5000K	400W	10010lm	EX39
HiLED 65W/ED37/EX39/5000K	400W	12025lm	EX39
HiLED 85W/ED37/EX39/5000K	450W	15300lm	EX39

\* Other color and wattage available made to order

\*\* 65W and 85W models are rated for OPEN fixtures only.