


GAMA SONIC[®]

SOLAR LIGHTING



5' DECORATIVE POST WITH EZ KIT

Part #: DPEZ5F0, DPEZ5F5

 Please read the instruction manual carefully to obtain the best results from your purchase.

Thank you for your purchase! GAMA SONIC® solar charged lights are brighter and last all night with a typical solar charge. Unique design, superior light output and numerous installation options confirm the outstanding value of our product. GAMA SONIC® has been recognized as a worldwide leader in the lighting industry for over 20 years.

Technical Assistance/Warranty Claims/Replacement Parts
Toll Free Number: +1-800-835-4113 (only within the US) or www.gamasonic.com

Visit our website or download the latest version of your instruction manual:
www.gamasonic.com or www.gamasonic.com/user-guides

GAMA SONIC'S EZ ANCHOR

Gama Sonic's EZ Anchor allows you to mount your solar lamp anywhere in your yard without needing to pour concrete. Simply install the EZ Auger into the ground where you want your lamp and secure the post to it.

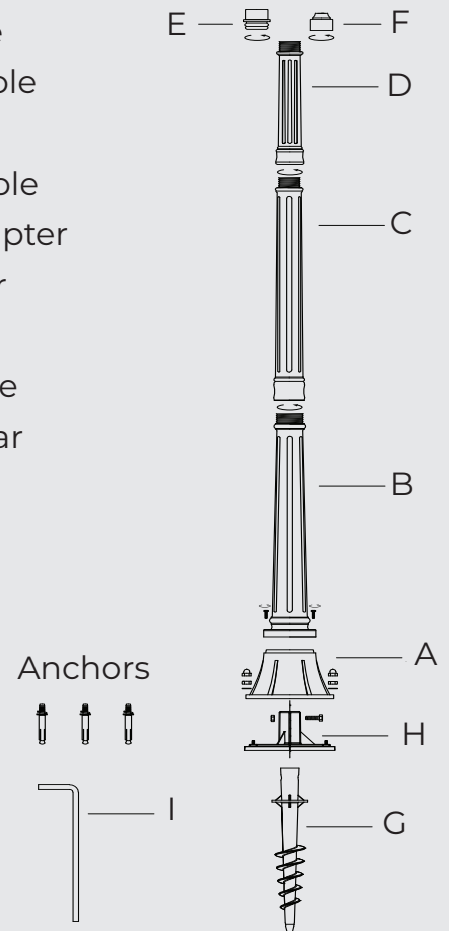
1. Solar Lamp Location

For optimum light duration throughout the night, it is very important to mount your solar lamp in a spot where it will receive the maximum amount of direct sunlight throughout the day.

For best results, the solar light must be charged in the "ON" position (High or Low) for at least 2 days of full direct sunlight.

2. What's in the Box

- A= Base Pole
- B= Middle Pole
- C= Top Pole
- D= Spacer Pole
- E= Fitter Adapter
- F= Mini Fitter
- G= Auger
- H= Base Plate
- I= Turning Bar



3. Assembly Instructions

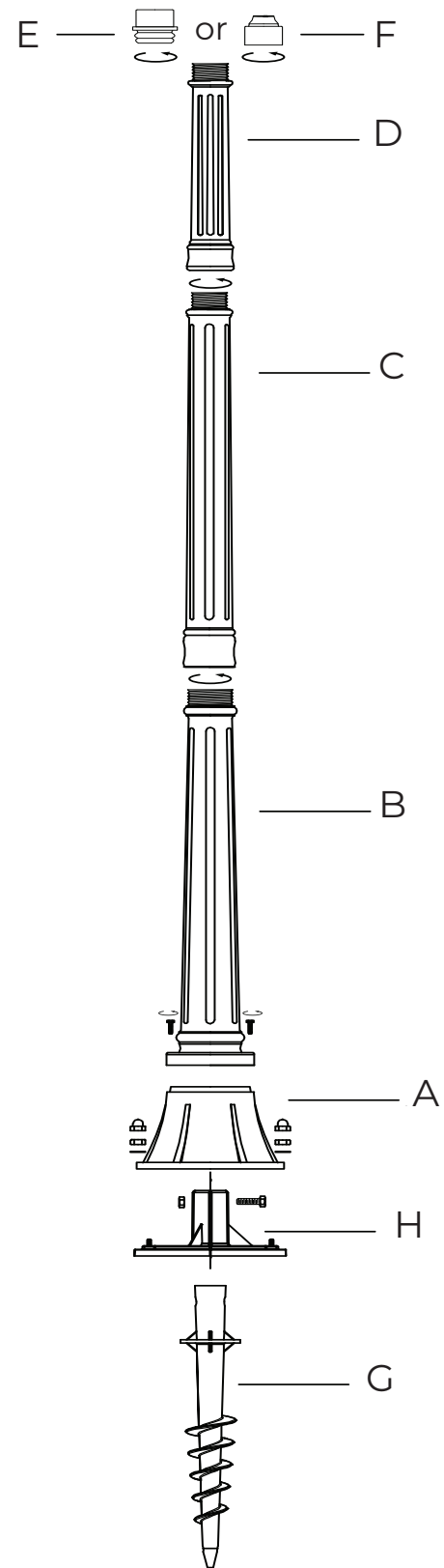
1. Remove the base plate (H) from the base pole (A) by removing the screw caps, nuts, and washers from each of the three screw studs.

Installing in concrete

- Using the base plate (H) as a template and mark where the three holes will need to be drilled.
- Drill three holes in the concrete no larger than the provided anchors.
- Insert the three anchors into the holes and secure the base pole to the concrete by tightening the three anchors.
- Continue to Step 2

Installing using the EZ Anchor

- Place the turning (I) bar through the hole at the top of the auger (G) and begin twisting the auger (G) into the ground clockwise. Use downward pressure while turning.
 - Occasionally check the level tool on the auger (G) to ensure the auger is vertical.
 - Stop turning once the ring on the auger (G) is flush with the ground.
 - Slide the base plate (H) over the auger and secure it with the large nut and bolt.
 - Re-install the base pole (A) to the base plate (H) and secure with the washer, nut, and screw caps removed in step 1.
2. Attach the middle pole (B) to the base pole (A) and secure with the three provided screws.
 3. Attach the top pole (C) to the middle pole (B) by screwing them together.
 4. Attach the spacer pole (D) to the top pole (C) by screwing them together.
 5. Attach the fitter adapter (E) to the spacer pole (D) by screwing them together.
 6. Mount your 3" lamp to the fitter adapter (E) and secure using the setscrews on the lamp.



This lamp post comes with an optional mini fitter to attach your Gama Sonic lamp with a smaller fitter for a sleeker look. Follow the instructions below to install it.

- Remove the fitter adapter (E) from the post and remove the 3” Fitter from your Gama Sonic lamp.
- Attach the mini fitter (F) to the lamp and secure using the lamps hardware.

NOTE: in the event you cannot secure the mini fitter with your lamp’s hardware, you can replace it with the nut and bolt included with the mini fitter. Each lamp is different and may require additional steps to remove the old fitter and install the mini fitter.

- Attach the lamp with mini fitter (F) to the spacer pole (D) by twisting clockwise.

Replacement parts are available at
www.gamasonic.com or call +1-800-835-4113 (only within the US)

Maintenance

Clean the solar panels regularly with a damp towel to guarantee optimum performance. Do not use any type of solvent for cleaning and be careful not to put too much pressure on the solar panels while cleaning.

Troubleshooting

If your solar light does not come on as expected despite observance of all the instructions, please try the following steps:

1. Make sure that the solar lamp is not being affected by any other light source.
2. Ensure the solar lamp is not positioned in the shade during the day.
3. Check that the batteries are installed correctly.

NOTE: The performance of the solar lamp will vary with the time of year. It will last longer when it has had a full day in the sun rather than a day in overcast weather.



WINTERTIME TIPS: For optimal performance, be sure to remove any snow or debris accumulation from solar panel(s). A solar panel free of debris will charge the batteries much more efficiently.

WARNING: Please keep out of reach of children. Do not dispose of the Li-Ion battery in the regular trash, municipal waste stream or by fire as batteries may leak or explode. Do not open, short circuit, or mutilate batteries as injury may occur. Preserve our environment by recycling Li-Ion batteries or disposing of them in accordance with local, State and federal regulations. Do not mix old and new batteries.

