

|              |            |       |
|--------------|------------|-------|
| Project:     | Catalog #: | Type: |
| Prepared by: | Notes:     | Date: |

## E3SLA

LED STAIRWELL, STRIP & SURFACE MOUNT  
Fixed CCT | 2' & 4'  
5-yr Warranty



## OVERVIEW

Energetic Lighting's E3SLA stairwell, strip and surface mount series is suitable for use in a broad range of commercial and industrial applications. Utilizing today's latest innovative LED solutions and technologies, this series provides the perfect blend of design, performance and reliability at a superior value to the customer.

An extremely versatile product thanks to its clean and modern design that mimics traditional T8 strip lights. Available in multiple lumen outputs and CCT options. Engineered to simplify installation for end-to-end | continuous row mounting using our ezLINK connector system to eliminate the hassle and added cost of manual thru wiring. Access to drivers and wiring is all tool-less. Durable construction that consists of a steel housing with ezLINK polymer end caps.

The E3SLA is well suited for many renovation and new construction applications including stairwells, hallways, corridors, storage areas, closets, warehouses, under canopy, etc. Provides quality all-purpose reduced glare illumination where needed with maximum energy savings.

## KEY FEATURES

- ezLINK multiple fixtures end-to-end | continuous row (ezLINK connector is included)
- Designed for easy wall & surface mounting
- Mimics traditional T8 design w/ a more modern design (single & double strip configurations available)
- High efficiency polymer diffusing lens for no pixelation
- 120-277V and utilizes 0-10V drivers as standard
- 84.9% lumen maintenance @ 54,000 hours - L85/54,000 (4' units per IES TM21) (2' units L89/54,000 per IES TM21)
- Projected L70 @ 116,000 hours (4' units per IES TM21) (2' units 171,000 hours per IES TM21)
- Available in 3500K & 4000K @ 84 CRI
- 1086-4529 lms, 10-40W @ 106-122 LPW
- Suitable for damp location use
- All configurations are DLC Standard qualified

## SPECIFICATIONS & FEATURES

### Construction

Housing is made from die-formed steel for accurate and repeatable construction. All painted components are high reflectance white powder coat for improved optical performance and visual aesthetic. Contractor friendly design includes ezLINK 5-pin connectors at each end for simple and quick end-to-end | continuous row fixture installation (connectors included). Drivers are easily accessed by removing the tool-less LED lens and housing array. Lens assembly designed to mimic the look and feel of traditional T8 strip lights.

### Optics

Uniform horizontal and vertical illumination is achieved by the coupling of the LED platform with a performance reflector system and high efficiency molded polymer diffusing lens that mimics the look and feel of traditional T8 strip lights. The optical system creates a soft and uniform visual appearance with no LED pixelation for superior visual comfort.

### Electrical

Efficient long life LED platform is coupled with 50,000 hour rated drivers to help deliver optimal performance and quality illumination for the extended life of the luminaire. 84.9% LED lumen maintenance at 54,000 hours (L85/54,000) per IES TM21 (4' units). Projected L70 @ 116,000 hours (4' units). 89.6% LED lumen maintenance at 54,000 hours (L90/54,000) per IES TM21 (2' units). Projected L70 @ 171,000 hours (2' units). Drivers are available for 120-277V applications and are 0-10V dimming compatible standard.

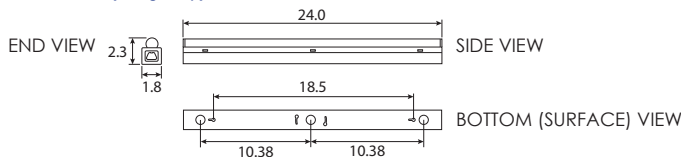
### Compliance & Certification

All luminaires are built to UL1598 standards with appropriate UL/cUL labels. Suitable for damp location use. Can be applied in accordance with NFPA 101 requirements for means of egress illumination. Product must be applied and installed properly, including FC measurements to meet NFPA 101 requirements. Suitable for use in clothes closets when installed in accordance with the NEC 410.16 spacing requirements. Adheres to LM79, LM80 and TM21 industry standards for performance and lifetime calculations. DesignLights Consortium® (DLC) qualified product. Refer to DLC website at [www.designlights.org/QPL](http://www.designlights.org/QPL) to confirm which specific product configurations are qualified.

### Warranty

The E3SLA series of luminaires ships with Energetic's 5-year standard warranty. (Terms & Conditions apply).

### Dimensions (2' single strip)



### Load Information

|              |                   |
|--------------|-------------------|
| Power Factor | 0.90              |
| THD          | 9%                |
| Low Temp     | -20° C            |
| Max Temp     | 50° C             |
| Unit Weight  | 1.8 lbs (2', 10W) |
| Unit Weight  | 2.2 lbs (4', 20W) |
| Unit Weight  | 5.4 lbs (4', 40W) |

### Shipping Information

| Size     | Weight <sup>1,2,3</sup> | Pallet <sup>4,5,6</sup>       |
|----------|-------------------------|-------------------------------|
| 2' (10W) | 2.1 lbs                 | 450 per (48" x 40" w x 88" h) |
| 4' (20W) | 3.7 lbs                 | 240 per (51" x 41" w x 79" h) |
| 4' (40W) | 6.0 lbs                 | 168 per (51" x 41" w x 79" h) |

1. 2' 10W Case pack weighs 13.9 lbs (6 units/case pack).  
2. 4' 20W Case pack weighs 24.2 lbs (6 units/case pack).  
3. 4' 40W Case pack weighs 38.6 lbs (6 units/case pack).  
4. There are 75 case packs per pallet (2' 10W).  
5. There are 40 case packs per pallet (4' 20W).  
6. There are 28 case packs per pallet (4' 40W).

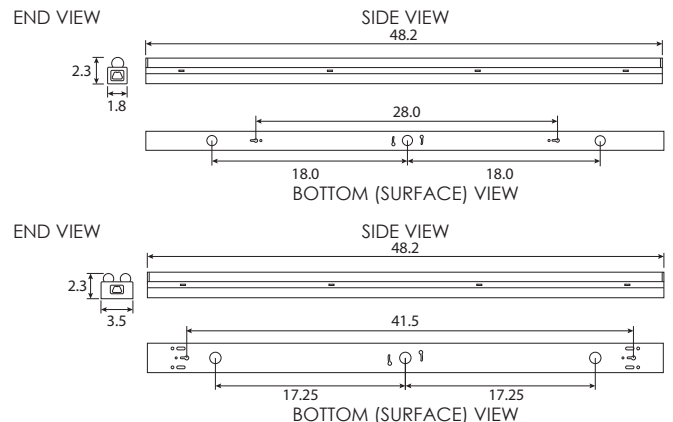
### Lumen Maintenance (2' configuration)

| Ambient Temperature | TM-21 Lumen Maintenance (54,000 hours) | Theoretical L70 (Hours) |
|---------------------|--|-------------------------|
| 25° C               | > 89.6%                                | 171,000                 |

### Lumen Maintenance (4' configurations)

| Ambient Temperature | TM-21 Lumen Maintenance (54,000 hours) | Theoretical L70 (Hours) |
|---------------------|--|-------------------------|
| 25° C               | > 84.9%                                | 116,000                 |

### Dimensions (cont'd)



**STOCK ORDERING INFORMATION (3500K, base fixture only)**

| Catalog Logic | Order # | Size/Config     | Lumens | Wattage | LPW | Color Temp | CRI | Voltage | Dimming            | DLC      | Pallet Qty |
|---------------|---------|-----------------|--------|---------|-----|------------|-----|---------|--------------------|----------|------------|
| E3SLA40D4-835 | 30030   | 4' double strip | 4529   | 39.3    | 115 | 3500K      | 84  | 120-277 | 0-10V <sup>1</sup> | Standard | 168        |

**STOCK ORDERING INFORMATION (4000K, base fixture only)**

| Catalog Logic | Order # | Size/Config     | Lumens | Wattage | LPW | Color Temp | CRI | Voltage | Dimming            | DLC      | Pallet Qty |
|---------------|---------|-----------------|--------|---------|-----|------------|-----|---------|--------------------|----------|------------|
| E3SLA10D2-840 | 30034   | 2' single strip | 1086   | 10.2    | 106 | 4000K      | 84  | 120-277 | 0-10V <sup>1</sup> | Standard | 450        |
| E3SLA20D4-840 | 30032   | 4' single strip | 2387   | 19.5    | 122 | 4000K      | 84  | 120-277 | 0-10V <sup>1</sup> | Standard | 240        |
| E3SLA40D4-840 | 30029   | 4' double strip | 4451   | 39.8    | 112 | 4000K      | 84  | 120-277 | 0-10V <sup>1</sup> | Standard | 168        |

Notes:  
1. 0-10V dimming driver standard, leads are capped from the factory, dims to 10%.

**ACCESSORIES (must be ordered separately)**

| Catalog Logic      | Order # | Description                                      |
|--------------------|---------|--|
| EZL12              | 30035   | 12" flexible ezLINK cable                        |
| EZL48              | 30036   | 48" flexible ezLINK cable                        |
| JBCP               | 30037   | Decorative round J-Box cover plate               |
| EZLBK <sup>1</sup> | 30038   | ezLINK support bracket (for suspension mounting) |

Notes:  
1. Suspension mounting hardware supplied by others.

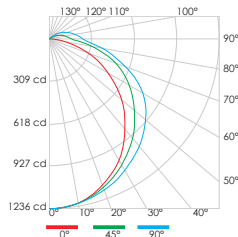
**4' Double Strip, 3500K, 40W, PHOTOMETRIC DATA**

**Luminaire Data**

Cat Logic: E3SLA40D4D4-835  
Test Report: E3SLA40D4D4-835.IES  
CCT: 3500  
Lamp Type: LED  
Lumens: 4529  
Input Watts: 10.2  
Efficacy: 106  
Spacing: 0° = 1.22 90° = 1.34

Photometric values based on tests performed in compliance with LM-79.

**Indoor Candela Plot**



**Zonal Lumen Summary**

| Zone  | Lumens | % Luminaire |
|-------|--------|-------------|
| 0-30  | 968    | 21.4        |
| 0-40  | 1600   | 35.3        |
| 0-60  | 2943   | 65.0        |
| 0-90  | 4179   | 92.3        |
| 0-180 | 4529   | 100.0       |

**Candlepower**

| Angle | 0°   | 90°  |
|-------|------|------|
| 0     | 1233 | 1233 |
| 5     | 1227 | 1226 |
| 10    | 1208 | 1213 |
| 15    | 1175 | 1193 |
| 20    | 1131 | 1168 |
| 25    | 1074 | 1138 |
| 30    | 1008 | 1102 |
| 35    | 934  | 1063 |
| 40    | 852  | 1017 |
| 45    | 765  | 967  |
| 50    | 674  | 913  |
| 55    | 579  | 856  |
| 60    | 484  | 783  |
| 65    | 387  | 693  |
| 70    | 290  | 588  |
| 75    | 197  | 485  |
| 80    | 110  | 387  |
| 85    | 39   | 298  |
| 90    | 3    | 242  |

**Coefficients of Utilization**

Effective Floor Cavity Reflectance 20%

| rc         | 80% |     |     |     | 70% |     |     |     | 50% |     |     |     | 30% |     |    |    | 10% |    |    |    | 0% |    |    |    |    |    |
|------------|-----|-----|-----|-----|-----|-----|-----|-----|-----|-----|-----|-----|-----|-----|----|----|-----|----|----|----|----|----|----|----|----|----|
|            | 70  | 50  | 30  | 10  | 70  | 50  | 30  | 10  | 50  | 30  | 10  | 50  | 30  | 10  | 50 | 30 | 10  | 50 | 30 | 10 | 50 | 30 | 10 | 50 | 30 | 10 |
| <b>RCR</b> |     |     |     |     |     |     |     |     |     |     |     |     |     |     |    |    |     |    |    |    |    |    |    |    |    |    |
| 0          | 117 | 117 | 117 | 117 | 114 | 114 | 114 | 114 | 107 | 107 | 107 | 101 | 101 | 101 | 95 | 95 | 95  | 92 |    |    |    |    |    |    |    |    |
| 1          | 105 | 99  | 94  | 90  | 101 | 96  | 92  | 88  | 90  | 87  | 83  | 85  | 82  | 79  | 80 | 78 | 76  | 73 |    |    |    |    |    |    |    |    |
| 2          | 95  | 85  | 78  | 71  | 91  | 83  | 76  | 70  | 78  | 72  | 67  | 73  | 69  | 64  | 69 | 65 | 62  | 59 |    |    |    |    |    |    |    |    |
| 3          | 86  | 74  | 65  | 58  | 82  | 72  | 64  | 57  | 68  | 61  | 55  | 64  | 58  | 53  | 60 | 56 | 51  | 49 |    |    |    |    |    |    |    |    |
| 4          | 78  | 65  | 56  | 49  | 75  | 63  | 55  | 48  | 60  | 52  | 46  | 57  | 50  | 45  | 54 | 48 | 44  | 41 |    |    |    |    |    |    |    |    |
| 5          | 72  | 58  | 49  | 42  | 69  | 56  | 48  | 41  | 53  | 46  | 40  | 51  | 44  | 39  | 48 | 42 | 38  | 35 |    |    |    |    |    |    |    |    |
| 6          | 66  | 52  | 43  | 36  | 63  | 51  | 42  | 36  | 48  | 40  | 35  | 46  | 39  | 34  | 43 | 37 | 33  | 30 |    |    |    |    |    |    |    |    |
| 7          | 61  | 47  | 38  | 32  | 59  | 46  | 37  | 31  | 44  | 36  | 30  | 41  | 35  | 30  | 39 | 33 | 29  | 27 |    |    |    |    |    |    |    |    |
| 8          | 57  | 43  | 34  | 28  | 55  | 42  | 33  | 28  | 40  | 32  | 27  | 38  | 31  | 26  | 36 | 30 | 26  | 24 |    |    |    |    |    |    |    |    |
| 9          | 53  | 39  | 31  | 25  | 51  | 38  | 30  | 25  | 37  | 29  | 24  | 35  | 28  | 24  | 33 | 27 | 23  | 21 |    |    |    |    |    |    |    |    |
| 10         | 50  | 36  | 28  | 23  | 48  | 35  | 28  | 22  | 34  | 27  | 22  | 32  | 26  | 21  | 31 | 25 | 21  | 19 |    |    |    |    |    |    |    |    |



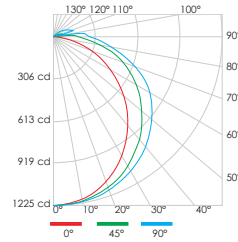
**4' Double Strip, 4000K, 40W, PHOTOMETRIC DATA**

**Luminaire Data**

Cat Logic: E3SLA40D4-840  
 Test Report: E3SLA40D4-840.IES  
 CCT: 4000  
 Lamp Type: LED  
 Lumens: 4451  
 Input Watts: 39.8  
 Efficacy: 112  
 Spacing: 0° = 1.22 90° = 1.38

Photometric values based on tests performed in compliance with LM-79.

**Indoor Candela Plot**



**Zonal Lumen Summary**

| Zone  | Lumens | % Luminaire |
|-------|--------|-------------|
| 0-30  | 960    | 21.6        |
| 0-40  | 1589   | 35.7        |
| 0-60  | 2926   | 65.7        |
| 0-90  | 4178   | 93.9        |
| 0-180 | 4451   | 100.0       |

**Candlepower**

| Angle | 0°   | 90°  |
|-------|------|------|
| 0     | 1222 | 1222 |
| 5     | 1217 | 1223 |
| 10    | 1196 | 1216 |
| 15    | 1162 | 1202 |
| 20    | 1118 | 1182 |
| 25    | 1060 | 1154 |
| 30    | 993  | 1122 |
| 35    | 921  | 1085 |
| 40    | 841  | 1041 |
| 45    | 755  | 990  |
| 50    | 665  | 935  |
| 55    | 574  | 876  |
| 60    | 480  | 810  |
| 65    | 387  | 729  |
| 70    | 294  | 632  |
| 75    | 204  | 529  |
| 80    | 123  | 432  |
| 85    | 57   | 344  |
| 90    | 16   | 264  |

**Coefficients of Utilization**

Effective Floor Cavity Reflectance 20%

| rc         | 80% |     |     |     | 70% |     |     |     | 50% |     |     |     | 30% |     |    |    | 10% |    |     |     | 0%  |     |     |     |     |     |     |     |     |     |     |     |    |    |    |    |
|------------|-----|-----|-----|-----|-----|-----|-----|-----|-----|-----|-----|-----|-----|-----|----|----|-----|----|-----|-----|-----|-----|-----|-----|-----|-----|-----|-----|-----|-----|-----|-----|----|----|----|----|
|            | 70  | 50  | 30  | 10  | 70  | 50  | 30  | 10  | 50  | 30  | 10  | 50  | 30  | 10  | 50 | 30 | 10  | 50 | 30  | 10  | 50  | 30  | 10  | 50  | 30  | 10  |     |     |     |     |     |     |    |    |    |    |
| <b>RCR</b> |     |     |     |     |     |     |     |     |     |     |     |     |     |     |    |    |     |    |     |     |     |     |     |     |     |     |     |     |     |     |     |     |    |    |    |    |
| 0          | 118 | 118 | 118 | 118 | 114 | 114 | 114 | 114 | 108 | 108 | 108 | 102 | 102 | 102 | 96 | 96 | 96  | 94 | 118 | 118 | 118 | 118 | 114 | 114 | 114 | 114 | 108 | 108 | 108 | 102 | 102 | 102 | 96 | 96 | 96 | 94 |
| 1          | 105 | 99  | 94  | 90  | 102 | 97  | 92  | 88  | 91  | 87  | 84  | 86  | 83  | 80  | 81 | 79 | 77  | 74 | 105 | 99  | 94  | 90  | 102 | 97  | 92  | 88  | 91  | 87  | 84  | 86  | 83  | 80  | 81 | 79 | 77 | 74 |
| 2          | 95  | 85  | 78  | 71  | 91  | 83  | 76  | 70  | 78  | 72  | 67  | 74  | 69  | 65  | 70 | 66 | 62  | 60 | 95  | 85  | 78  | 71  | 91  | 83  | 76  | 70  | 78  | 72  | 67  | 74  | 69  | 65  | 70 | 66 | 62 | 60 |
| 3          | 86  | 74  | 65  | 58  | 83  | 72  | 64  | 57  | 68  | 61  | 55  | 65  | 59  | 54  | 61 | 56 | 52  | 49 | 86  | 74  | 65  | 58  | 83  | 72  | 64  | 57  | 68  | 61  | 55  | 65  | 59  | 54  | 61 | 56 | 52 | 49 |
| 4          | 78  | 65  | 56  | 49  | 75  | 64  | 55  | 48  | 60  | 53  | 47  | 57  | 51  | 45  | 54 | 49 | 44  | 42 | 78  | 65  | 56  | 49  | 75  | 64  | 55  | 48  | 60  | 53  | 47  | 57  | 51  | 45  | 54 | 49 | 44 | 42 |
| 5          | 72  | 58  | 49  | 41  | 69  | 57  | 48  | 41  | 54  | 46  | 40  | 51  | 44  | 39  | 48 | 43 | 38  | 36 | 72  | 58  | 49  | 41  | 69  | 57  | 48  | 41  | 54  | 46  | 40  | 51  | 44  | 39  | 48 | 43 | 38 | 36 |
| 6          | 66  | 52  | 43  | 36  | 64  | 51  | 42  | 35  | 48  | 40  | 35  | 46  | 39  | 34  | 44 | 38 | 33  | 31 | 66  | 52  | 43  | 36  | 64  | 51  | 42  | 35  | 48  | 40  | 35  | 46  | 39  | 34  | 44 | 38 | 33 | 31 |
| 7          | 61  | 47  | 38  | 32  | 59  | 46  | 37  | 31  | 44  | 36  | 30  | 42  | 35  | 30  | 40 | 34 | 29  | 27 | 61  | 47  | 38  | 32  | 59  | 46  | 37  | 31  | 44  | 36  | 30  | 42  | 35  | 30  | 40 | 34 | 29 | 27 |
| 8          | 57  | 43  | 34  | 28  | 55  | 42  | 33  | 28  | 40  | 32  | 27  | 38  | 31  | 27  | 37 | 31 | 26  | 24 | 57  | 43  | 34  | 28  | 55  | 42  | 33  | 28  | 40  | 32  | 27  | 38  | 31  | 27  | 37 | 31 | 26 | 24 |
| 9          | 53  | 39  | 31  | 25  | 51  | 38  | 30  | 25  | 37  | 29  | 24  | 35  | 29  | 24  | 34 | 28 | 23  | 21 | 53  | 39  | 31  | 25  | 51  | 38  | 30  | 25  | 37  | 29  | 24  | 35  | 29  | 24  | 34 | 28 | 23 | 21 |
| 10         | 50  | 36  | 28  | 23  | 48  | 35  | 28  | 22  | 34  | 27  | 22  | 33  | 26  | 22  | 31 | 25 | 21  | 19 | 50  | 36  | 28  | 23  | 48  | 35  | 28  | 22  | 34  | 27  | 22  | 33  | 26  | 22  | 31 | 25 | 21 | 19 |

**NOTES:**

Empty box for notes.