

3-WAY 0-10V DIMMER

Model: VED3-10V



TECHNICAL SPECIFICATIONS

SWITCH

Standard ON/OFF

DIMMER

Slide

VOLTAGE

120-277VAC, 50-60Hz

LOAD RATING

720VA

LOAD TYPE

Electronic 0-10VDC
Fluorescent Ballast and
0-10VDC LED Power Supply

SWITCH TYPE

3-way

SINK CURRENT MAX.

30mA

DIMMING RANGE

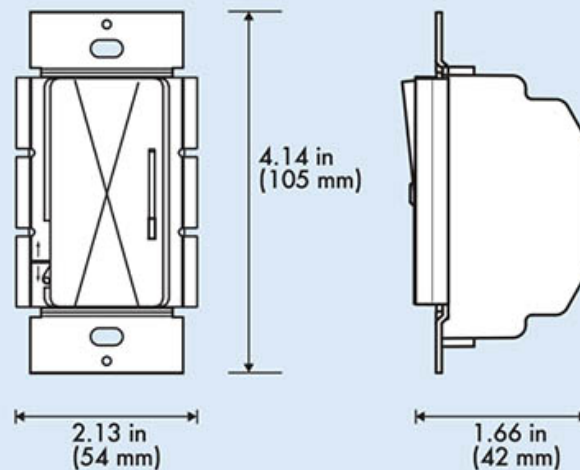
Max. and Min. Dimming
range adjustable

Specification data is based on tests performed in a controlled environment and represents relative performance. Actual performance can vary depending on operating conditions. Application and performance data subject to change without notice. All specifications are nominal unless noted otherwise.

FEATURES:

- UL and cUL listed for safety
- Smooth slide dimming control
- Full-range dimming
- Min. and max. dimming range adjustment
- Operating temperature: 32 - 104 degree F
- Five year limited warranty
- Color: white

DIMENSION LAYOUT :



WIRING DIAGRAM :

