

Channel Retrofit Kits

Commercial Grade LED Versa Kit 8ft Channel



LED Versa Kit
8ft Channel

Product Certification



[*Emergency Driver Solution Option](#)

Applications

This advanced channel retrofit kit easily converts 8ft Channel fluorescent wide strips to the most current LED technology. Its ultra high efficiency reduces energy costs. It is one of the LED channel retrofits that comes completely assembled as a lensed kit, requiring only one minute to install, reducing labor costs. The retrofit kit is also 0-10V Dimmable with 5 Year Warranty. Ideal applications include: office, retail, healthcare, education and hospitality interiors.

Performance

The VEK series uses the latest LED technology and LED driver to ensure steady performance and long lifetime.

Installation

The Channel Retrofit Kit provides the ideal way to replace existing 8ft Channel fixture, utilizing the existing fixture housing. The kit provides all the components needed to perform the change out quickly and efficiently, allowing for system upgrades without disturbing the ceiling. The LED channel retrofit is designed for width of 4.25" to 5.25" and a minimum depth of 1.625" T8/T12 fluorescent wide strips.

Specification Data

Model No.	Watts (W)	Lumens (lm)	CCT	Efficacy (lm/W)	Input Voltage (Vac)	Dimming	Life	THD
VEKL8F/46-835	46	5980	3500K	130	120-277V	0-10V	50000	<20%
VEKL8F/46-840	46	5980	4000K	130	120-277V	0-10V	50000	<20%
VEKL8F/46-850	46	5980	5000K	130	120-277V	0-10V	50000	<20%

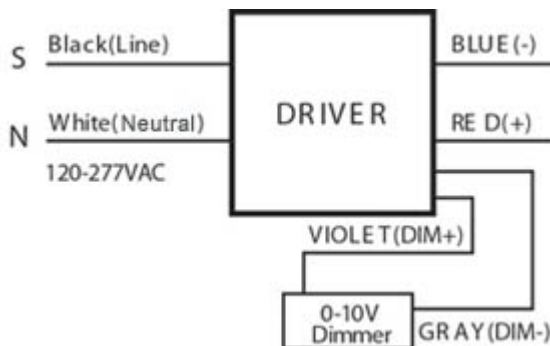
Order Information

EXAMPLE: VEKL4F/23-840			
VEKL	4F	23	840K
Series LED Channel Retrofit Kit	Size 4' Length	Wattage 23 = 23 Watts	CCT 3500K 4000K 5000K

Dimensions

Length	Width	Height
96 in	5.7 in	2.36 in

Wiring Diagram



Dlc Information

Order Code	DLC Product ID	DLC Product Model	DLC Version
VEKL8F/46-835	PL68YTSMLRAR	VEKL8F/46-835	5
VEKL8F/46-840	PLJ3ZQZW8HQW	VEKL8F/46-840	5
VEKL8F/46-850	PLDCHJKE1UN0	VEKL8F/46-850	5