

Troffer Retrofit Kits

Commercial Grade LED Versa Kit



LED Versa
Kit 2X4

Product Certification



[*Emergency Driver Solution Option](#)

[*Bi-Level Occupancy Sensor Option](#)

Applications

This advanced troffer retrofit kit easily converts 2X4 fluorescent troffers to the most current LED technology. Its ultra high efficiency reduces energy costs. It is one of the LED troffer retrofits that comes completely assembled as a lensed kit, requiring only one minute to install, reducing labor costs. The retrofit kit is also 0-10V Dimmable with 5 Year Warranty. Ideal applications include: office, retail, healthcare, education and hospitality interiors.

Performance

The VEK series uses the latest LED technology and LED driver to ensure steady performance and long lifetime.

Installation

The Troffer Retrofit Kit provides the ideal way to replace existing 2X4 recessed troffer, utilizing the existing fixture housing. The kit provides all the components needed to perform the change out quickly and efficiently, allowing for system upgrades without disturbing the ceiling. The LED troffer retrofit is completely assembled within the frame. With special 2-in-1 design, the kit fits for both air return troffers and standard troffers.

Specification Data

| Model No. | Watts (W) | Lumens (lm) | CCT | Efficacy (lm/W) | Input Voltage (Vac) | Dimming | Life (L70) hours | THD | CRI | Power Factor |
|----------------|-----------|-------------|------|-----------------|---------------------|---------|------------------|------|-----|--------------|
| VEKT2X4/835/23 | 23 | 2990 | 3500 | 130 | 120-277 | 0-10V | >100,000 | <20% | >80 | 0.9 |
| VEKT2X4/840/23 | 23 | 2990 | 4000 | 130 | 120-277 | 0-10V | >100,000 | <20% | >80 | 0.9 |
| VEKT2X4/850/23 | 23 | 2990 | 5000 | 130 | 120-277 | 0-10V | >100,000 | <20% | >80 | 0.9 |

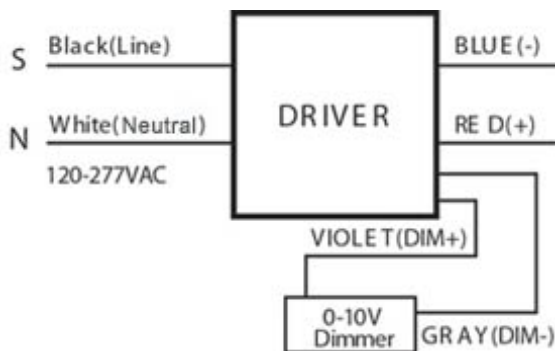
Order Information

| Family Series | Dimension | CRI | Color Temperature | Options |
|---------------|---|-------------------|---|---|
| VEKT | 2X2H - 2X2 2X4L - 2X4 1X4L - 1X4 | 8 - CRI>80 | 35 - 3500K 40 - 4000K 50 - 5000K | EM - 10W(~1250lm) Emergency Battery Backup OCC - Bi-Level Occupancy Sensor (Microwave) |

Dimensions

| Length | Width | Height |
|---------|---------|---------|
| 3.79 ft | 1.85 ft | 2.40 in |

Wiring Diagram



Dlc Information

| Order Code | DLC Product ID | DLC Product Model | DLC Version |
|----------------|----------------|-------------------|-------------|
| VEKT2X4/835/23 | PLQPR4MBL5J4 | VEKT2X4/835/23 | 5 |
| VEKT2X4/840/23 | PL4X85L8Q03X | VEKT2X4/840/23 | 5 |
| VEKT2X4/850/23 | PLALD46VT7AD | VEKT2X4/850/23 | 5 |