

# Troffer Retrofit Kits

Commercial Grade LED Versa Kit



LED Versa  
Kit 2X4

## Product Certification



[\\*Emergency Driver Solution Option](#)

[\\*Bi-Level Occupancy Sensor Option](#)

## Applications

This advanced troffer retrofit kit easily converts 2X4 fluorescent troffers to the most current LED technology. Its ultra high efficiency reduces energy costs. It is one of the LED troffer retrofits that comes completely assembled as a lensed kit, requiring only one minute to install, reducing labor costs. The retrofit kit is also 0-10V Dimmable with 5 Year Warranty. Ideal applications include: office, retail, healthcare, education and hospitality interiors.

## Performance

The VEK series uses the latest LED technology and LED driver to ensure steady performance and long lifetime.

## Installation

The Troffer Retrofit Kit provides the ideal way to replace existing 2X4 recessed troffer, utilizing the existing fixture housing. The kit provides all the components needed to perform the change out quickly and efficiently, allowing for system upgrades without disturbing the ceiling. The LED troffer retrofit is completely assembled within the frame. With special 2-in-1 design, the kit fits for both air return troffers and standard troffers.

## Specification Data

Model No.	Watts (W)	Lumens (lm)	CCT	Efficacy (lm/W)	Input Voltage (Vac)	Dimming	Life (L70) hours	THD	CRI	Power Factor
VEKT2X4/835/23	23	2990	3500	130	120-277	0-10V	>100,000	<20%	>80	0.9
VEKT2X4/840/23	23	2990	4000	130	120-277	0-10V	>100,000	<20%	>80	0.9
VEKT2X4/850/23	23	2990	5000	130	120-277	0-10V	>100,000	<20%	>80	0.9

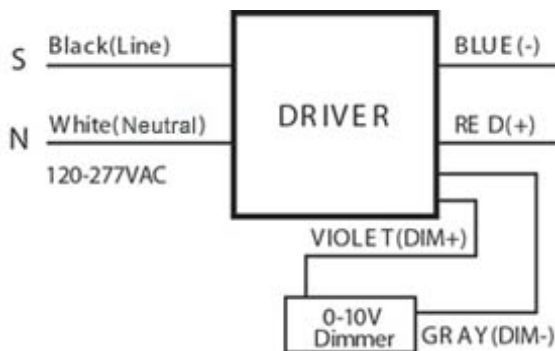
### Order Information

Family Series	Dimension	CRI	Color Temperature	Options
<b>VEKT</b>	<b>2X2H</b> - 2X2	<b>8</b> - CRI>80	<b>35</b> - 3500K	<b>EM</b> - 10W(~1250lm) Emergency Battery Backup <b>OCC</b> - Bi-Level Occupancy Sensor (Microwave)
	<b>2X4L</b> - 2X4		<b>40</b> - 4000K	
	<b>1X4L</b> - 1X4		<b>50</b> - 5000K	

### Dimensions

Length	Width	Height
3.79 ft	1.85 ft	2.40 in

### Wiring Diagram



### Dlc Information

Order Code	DLC Product ID	DLC Product Model	DLC Version
VEKT2X4/835/23	PLQPR4MBL5J4	VEKT2X4/835/23	5
VEKT2X4/840/23	PL4X85L8Q03X	VEKT2X4/840/23	5
VEKT2X4/850/23	PLALD46VT7AD	VEKT2X4/850/23	5