

Features & Benefits

- Internal Driver
- Smooth, Consistent Light
- UL for Safety
- No UV, No Mercury
- Long Life
- High CRI
- Instant on, no delay or warm up time
- Convenient and quick installation
- Utilizes non-shunted(rapid start) sockets
- Compatible 0-10V Dimming System
- Works in cold temperature applications
- Suitable for damp and dry locations
- -20° F to 130° F ambient operating temperature
- Glass tube for superior optical performance
- 5 Year Warranty
- Superior Wide View Angle



Internal Driver **LED Lamp**
Single End Input



Flex™
Internal Driver **LED Lamp**

Specification Data

Model No.	Length	Base type	Lamp Wattage	Input Voltage	CCT	Initial Lumens	CRI	Beam Angle	LPW	Power Factor	THD
L48T8/830/14G-ID-10V	48	G13	14	120-277	3000	1850	83	325	130	0.9	<20%
L48T8/835/14G-ID-10V	48	G13	14	120-277	3500	1850	83	325	130	0.9	<20%
L48T8/840/14G-ID-10V	48	G13	14	120-277	4000	1850	83	325	130	0.9	<20%
L48T8/850/14G-ID-10V	48	G13	14	120-277	5000	1850	83	325	130	0.9	<20%

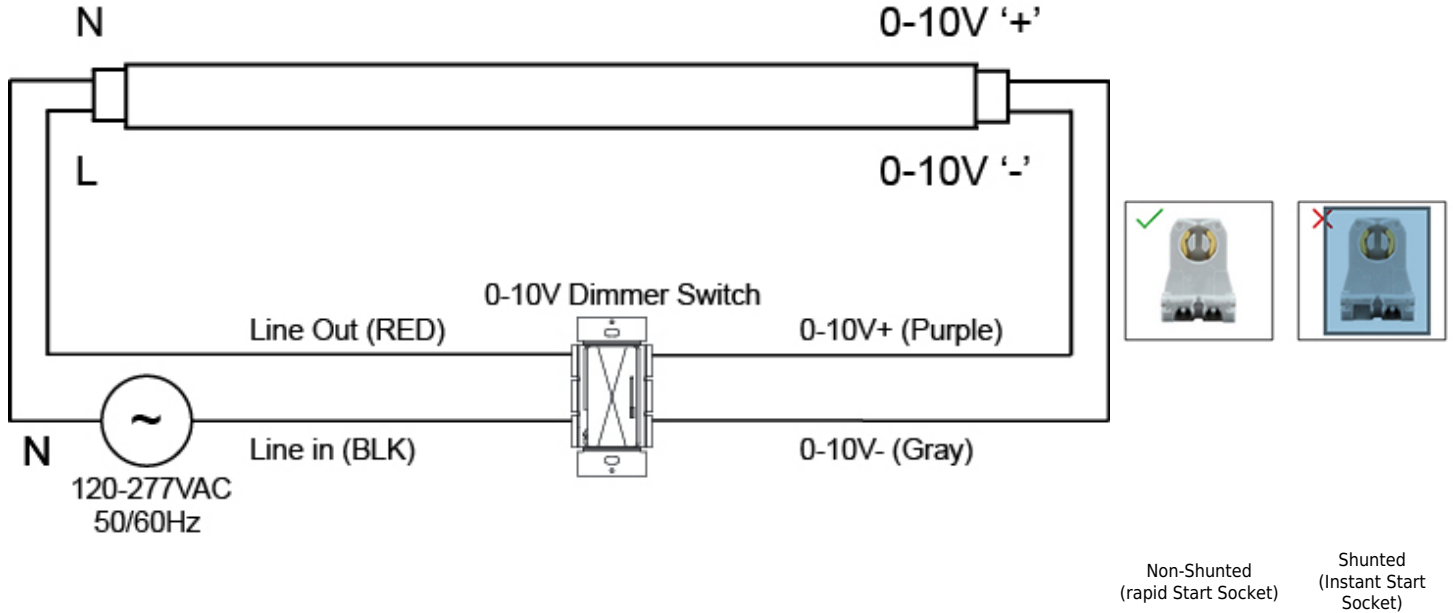
Order Information

EXAMPLE: **L48T8/840/14G-ID-10V**

L	48	T8	8	40	14 G	-	ID	-	10V
Manufacturer's Code	Normal Length 48=48"	Lamp Shape T8=T8	CRI 8=>80	CCT 50 =5000K 40 =4000K 35 =3500K	Wattage 14G-14W		Internal Driver		0-10V dimming

Wiring Diagram

Note: Will not operate on shunted sockets. Use only with non-shunted (rapid start) sockets.



DLC Information

Model No.	DLC Product ID	DLC Product Model	DLC Product Version
L48T8/830/14G-ID-10V	PDKWUCOI	L48T8/830/14G-ID-10V	5.1
L48T8/835/14G-ID-10V	PNSMZ6VV	L48T8/835/14G-ID-10V	5.1
L48T8/840/14G-ID-10V	PE8LP8K0	L48T8/840/14G-ID-10V	5.1
L48T8/850/14G-ID-10V	P97VDBGC	L48T8/850/14G-ID-10V	5.1