

Nano Plastic Lamp

Commercial Grade LED T8 Lamp



RetroFlex™
LED T8 LAMP • Simplicity.



Product Certification

* EMERGENCY BALLAST RESTRICTIONS

Features & Benefits

- Shatterproof Nano Plastic Tube
- NSF2 Rated
- No rewiring needed
- Works with fluorescent electronic ballast (Instant Start, Programmed Start, and Dimming)*
- Long life
- High CRI
- Instant on, no delay
- Convenient and quick installation
- Utilizes existing instant start or rapid start sockets
- Compatible with controls and sensors
- Dimmable
- Works in cold temperature applications
- Suitable for damp locations
- Nano-Plastic tube for superior optical performance
- 5 Year Warranty

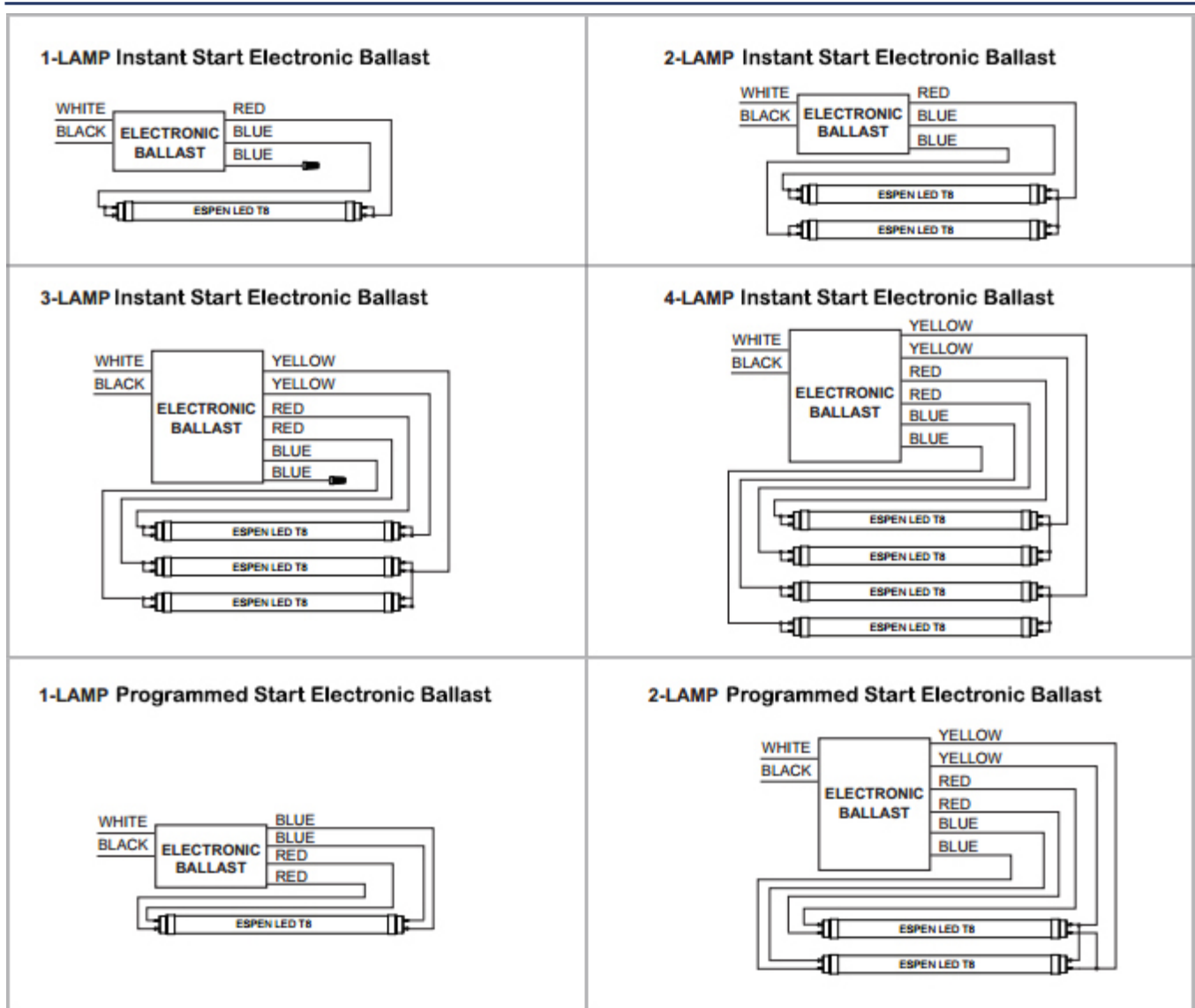
Specification (With Normal Ballast Factor)

Order Code	Length	Lamp Wattage	System Wattage	CCT	Initial Lumens	CRI	Beam Angle	Lamp Efficacy	System Efficacy	Life
L24T8/830/12P-EB	24	9	12	3000K	1500	83	325	166	125	50000
L24T8/835/12P-EB	24	9	12	3500K	1500	83	325	166	125	50000
L24T8/840/12P-EB	24	9	12	4000K	1500	83	325	166	125	50000
L24T8/850/12P-EB	24	9	12	5000K	1500	83	325	166	125	50000

System Performance

Lamp Model	Low Ballast Factor				High Ballast Factor			
	Lamp Power	System Power	Lumen Output	Lamp Efficacy	Lamp Power	System Power	Lumen Output	Lamp Efficacy
L24T8/830/12P-EB								
L24T8/835/12P-EB								
L24T8/840/12P-EB								
L24T8/850/12P-EB								

Wiring Diagram



Dlc Information

Order Code	DLC Product ID	DLC Product Model	DLC Version
L24T8/830/12P-EB	PL64Y897CKUW	L24T8/830/12P-EB	5
L24T8/835/12P-EB	PL661HGAXGNN	L24T8/835/12P-EB	5
L24T8/840/12P-EB	PL1MSMZRB0UP	L24T8/840/12P-EB	5
L24T8/850/12P-EB	PLOGTDXM83F4	L24T8/850/12P-EB	5

* Please refer to "Ballast Compatibility List" for compatible models.

Specification data is based on tests performed in a controlled environment and represents relative performance. Actual performance can vary depending on operating conditions. Application and performance data subject to change without notice. All specifications are nominal unless noted otherwise.