

### Features & Benefits

- No rewiring needed
- Works with fluorescent electronic ballast (Instant Start, Programmed Start, and Dimming)\*
- Long life
- High CRI
- Instant on, no delay
- Convenient and quick installation
- Utilizes existing instant start or rapid start sockets
- Compatible with controls and sensors
- Dimmable
- Works in cold temperature applications
- Nano-Plastic tube for superior optical performance
- 5 Year Warranty



\* EMERGENCY BALLAST RESTRICTIONS



**RetroFlex™**  
LED T8 LAMP • Simplicity.  
Commercial Grade LED T8 Lamp

### Specification Data (with Normal Ballast Factor)

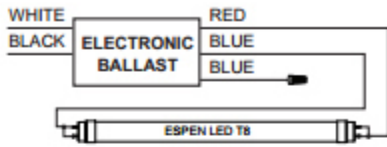
Order Code	Length	Lamp Wattage	System Wattage	CCT	Initial Lumens	CRI	Beam Angle	Lamp Efficacy	System Efficacy	Life	DLC
L48T8/835/12P-EB	48	12	14	3500K	1800	83	325	135	125	50000	Yes
L48T8/840/12P-EB	48	12	14	4000K	1800	83	325	135	125	50000	Yes
L48T8/850/12P-EB	48	12	14	5000K	1800	83	325	135	125	50000	Yes
L48T8/830/12P-EB	48	12	14	3000K	1800	83	325	135	125	50000	Yes

### System Performance

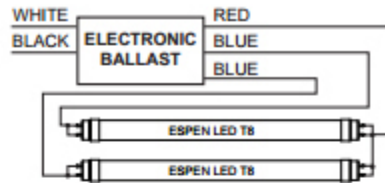
Lamp Model	Low Ballast Factor				High Ballast Factor			
	Lamp Power	System Power	Lumen Output	Lamp Efficacy	Lamp Power	System Power	Lumen Output	Lamp Efficacy
L48T8/835/12P-EB	10	12	1380	135	16	18	2200	135
L48T8/840/12P-EB	10	12	1380	135	16	18	2200	135
L48T8/850/12P-EB	10	12	1380	135	16	18	2200	135
L48T8/830/12P-EB	10	12	1380	135	16	18	2200	135

### Wiring diagram

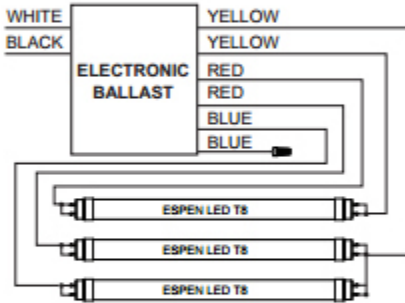
**1-LAMP Instant Start Electronic Ballast**



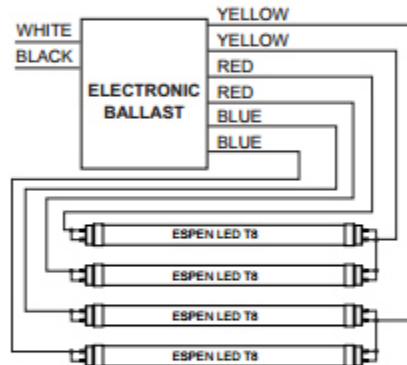
**2-LAMP Instant Start Electronic Ballast**



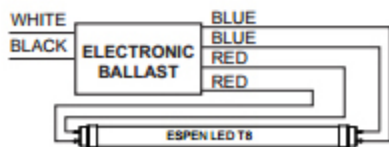
**3-LAMP Instant Start Electronic Ballast**



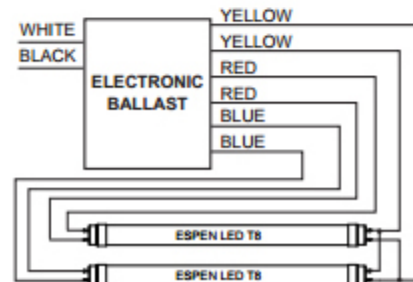
**4-LAMP Instant Start Electronic Ballast**



**1-LAMP Programmed Start Electronic Ballast**



**2-LAMP Programmed Start Electronic Ballast**



\* Please refer to this "[Ballast Compatibility List](#)" for compatible models.

Specification data is based on tests performed in a controlled environment and represents relative performance. Actual performance can vary depending on operating conditions. Application and performance data subject to change without notice. All specifications are nominal unless noted otherwise.