

CoreTech CRI80 Type C Lamp

Commercial Grade LED Lamp

Features & Benefits

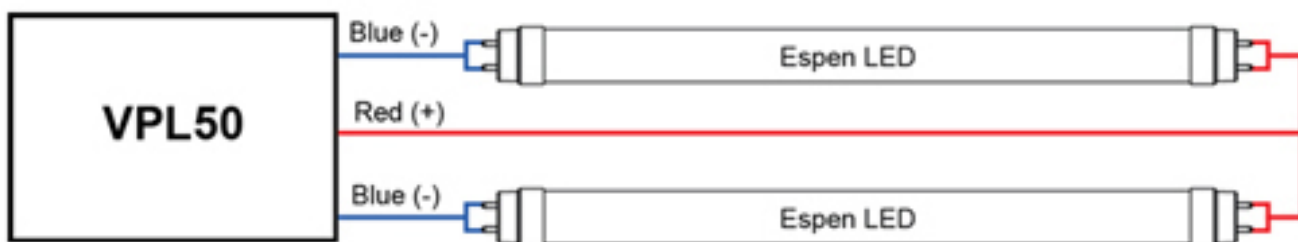
- Advanced dimming with Pro-DIM technology: 0-10V and/or AB dimming
- No Polarity: lamp ends can be reversed
- Same wiring as fluorescent lamp/ballast system
- UL 1598C for safety
- Full glass as fluorescent T5
- Smooth, Consistent Light
- Suitable for Dry and Damp Locations
- High CRI
- Instant on
- 50,000 hours with no limitation on On/Off Cycles
- Evaluated for use in totally enclosed, recessed luminaires, surface mount wall and ceiling luminaires, outdoor luminaires (open surface mount luminaires with compartment protection from weather)
- For use with Class 2 driver only
- 5 Year Warranty

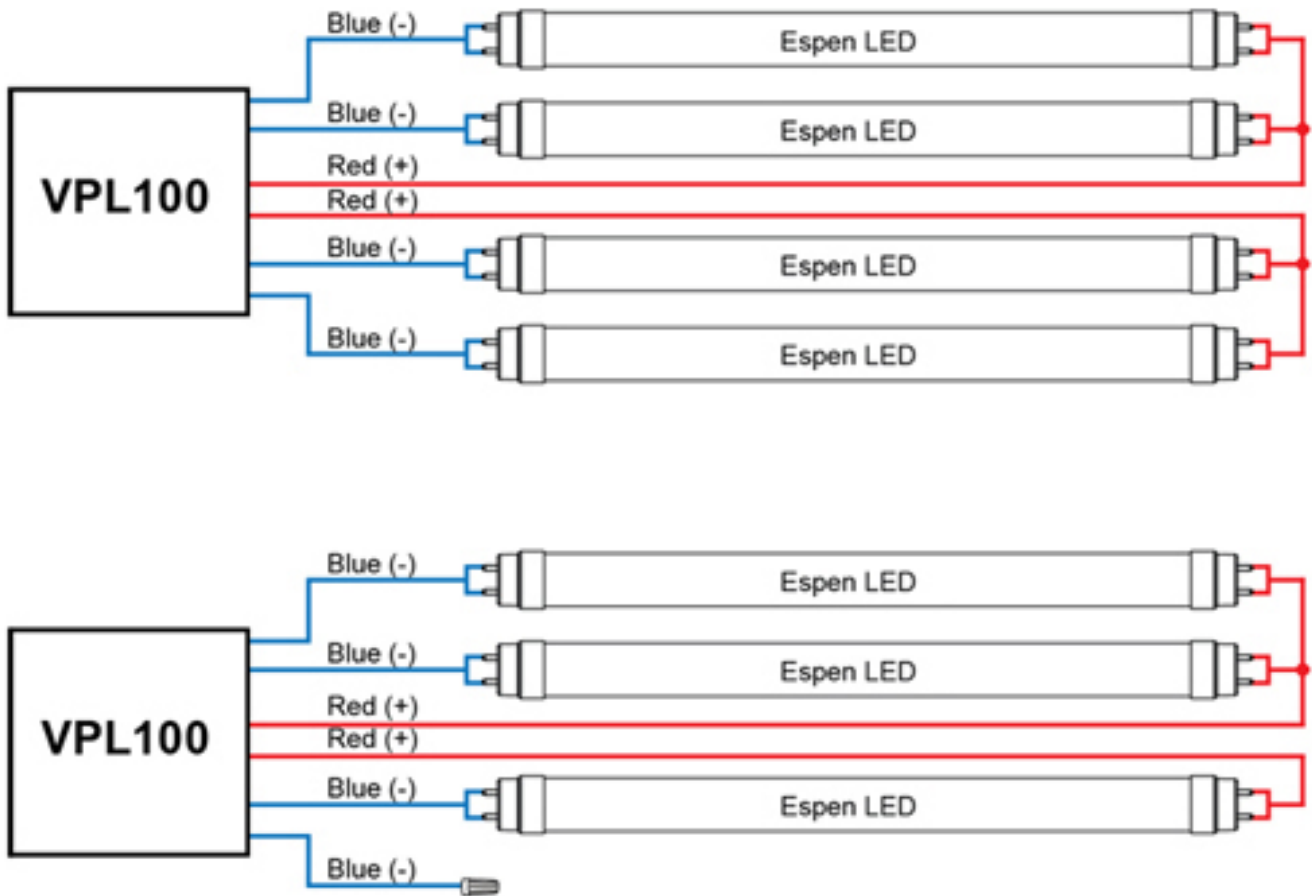


Specification Data

| Model | Lamp Input Current | System Wattage | Lamp Wattage | Length | CRI | Initial Lumens | Lamp Efficacy (lm/W) | System Efficacy (lm/W) | Beam Angle | CCT |
|------------------|--------------------|----------------|--------------|--------|-----|----------------|----------------------|------------------------|------------|-------|
| L24T5/830/11G-XT | 250mA | 11 | 8 | 24" | 82 | 1200 | 150 | 109 | 240 | 3000K |
| L24T5/830/11G-XT | 360mA | 12 | 9 | 24" | 82 | 1300 | 145 | 108 | 240 | 3000K |
| L24T5/830/11G-XT | 500mA | 15 | 12 | 24" | 82 | 1700 | 142 | 113 | 240 | 3000K |

Wiring Diagram





Dlc Information

| Order Code | Lamp Input Current | DLC Product ID | DLC Product Model | DLC Version |
|------------------|--------------------|----------------|-------------------|-------------|
| L24T5/830/11G-XT | 250mA | N/A | N/A | N/A |
| L24T5/830/11G-XT | 360mA | N/A | N/A | N/A |
| L24T5/830/11G-XT | 500mA | N/A | N/A | N/A |

Specification data is based on tests performed in a controlled environment and represents relative performance. Actual performance can vary depending on operating conditions. Application and performance data subject to change without notice. All specifications are nominal unless noted otherwise.