

### Features & Benefits

- **Type A mode: Works on existing compatible Instant Start, Programmed Start, Dimming electronic ballast**
- **Type B mode: Internal Driver (Direct 120-277VAC input)**
- Long life | High CRI
- Instant on, no delay
- Convenient and quick installation
- Utilizes existing instant start or rapid start G13 sockets
- Compatible with controls and sensors
- Works in cold temperature applications
- High performance plastic series
- 5 Year Warranty



\* EMERGENCY BALLAST RESTRICTIONS



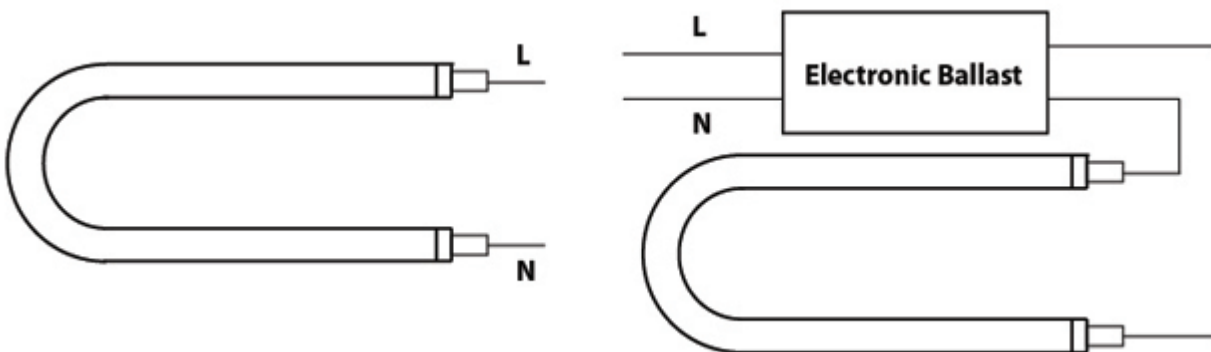
# UniFlex™

Commercial Grade LED T8 Lamp

### Specification Data

Order Code	Length	Input Voltage	Power Direct AC	Power w/ Ballast	CCT	Lumen	CRI	Beam Angle	Lamp Efficacy Direct AC	System Efficacy w/ Ballast	Life
LB31T8U/830/13P-AB	24	120-277V	13	16	3000K	1800	83	240	138	112	50000
LB31T8U/835/13P-AB	24	120-277V	13	16	3500K	1800	83	240	138	112	50000
LB31T8U/840/13P-AB	24	120-277V	13	16	4000K	1900	83	240	146	118	50000
LB31T8U/850/13P-AB	24	120-277V	13	16	5000K	2000	83	240	153	125	50000

### Wiring Diagram



## DLC Information

Order Code	DLC Product ID	DLC Product Model	DLC Product Version
LB31T8U/830/13P-AB	N/A	N/A	N/A
LB31T8U/835/13P-AB	N/A	N/A	N/A
LB31T8U/840/13P-AB	PLWMGE5E6TC0	LB31T8U/840/13P-AB	5
LB31T8U/850/13P-AB	PLIRLCNDPC5X	LB31T8U/850/13P-AB	5