

# CoreTech CRI80 Type C Lamp

Commercial Grade LED Lamp

### Features & Benefits

- Advanced dimming with Pro-DIM technology: 0-10V and/or AB dimming
- No Polarity: lamp ends can be reversed
- Same wiring as fluorescent lamp/ballast system
- UL 1598C for safety
- Full glass as fluorescent T8
- Smooth, Consistent Light
- Suitable for Dry and Damp Locations
- High CRI
- Instant on
- 50,000 hours with no limitation on On/Off Cycles
- Evaluated for use in totally enclosed, recessed luminaires, surface mount wall and ceiling luminaires, outdoor luminaires (open surface mount luminaires with compartment protection from weather)
- For use with Class 2 driver only
- 5 Year Warranty



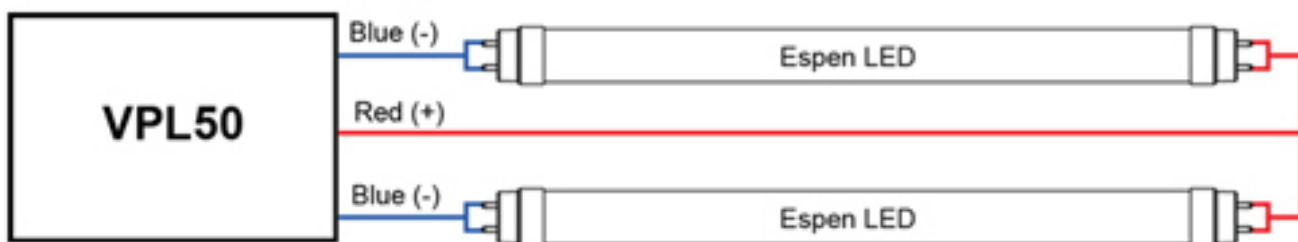
### Product Certification

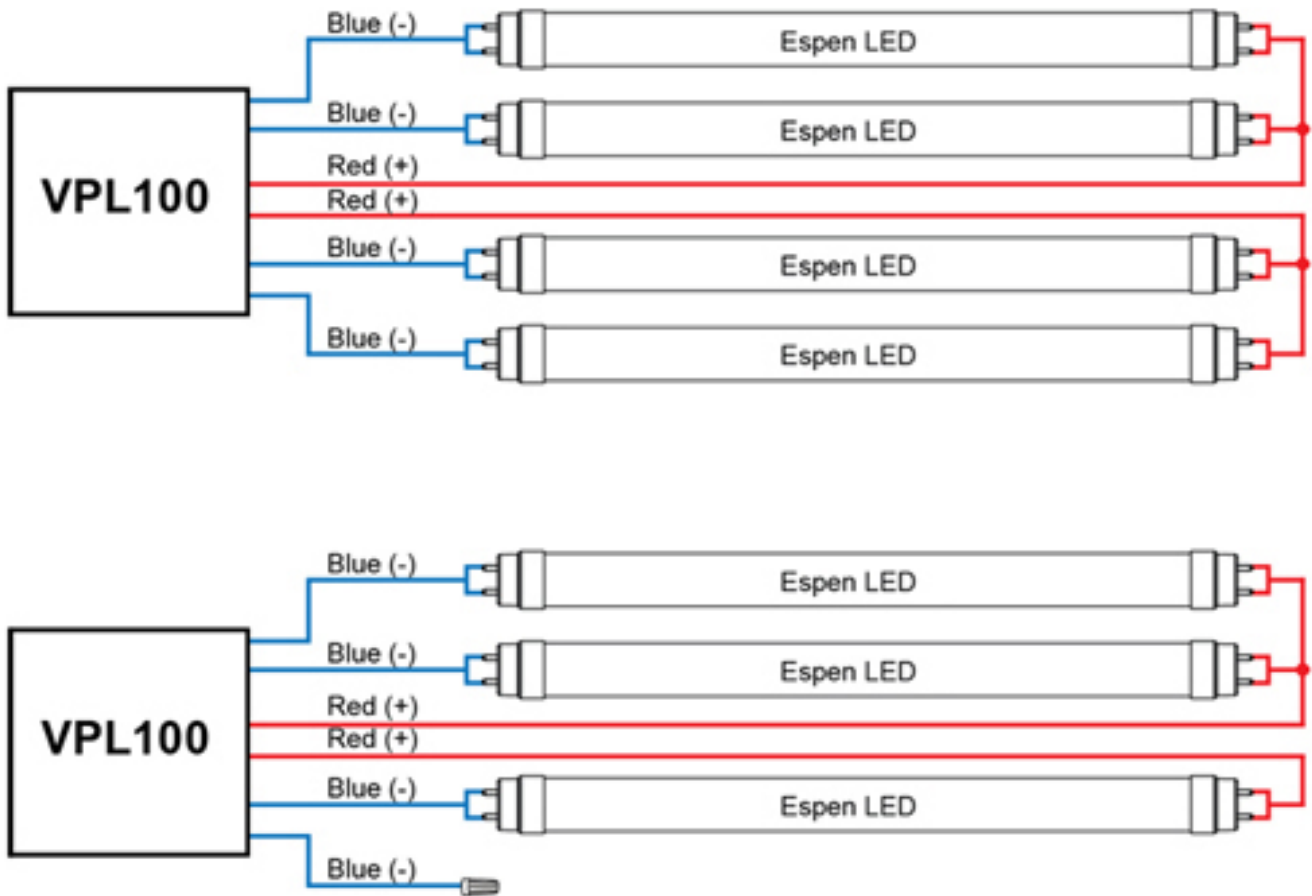


## Specification Data

| Model            | Lamp Input Current | System Wattage | Lamp Wattage | Length | CRI | Initial Lumens | Lamp Efficacy (lm/W) | System Efficacy (lm/W) | Beam Angle | CCT   |
|------------------|--------------------|----------------|--------------|--------|-----|----------------|----------------------|------------------------|------------|-------|
| L36T8/835/11G-XT | 250mA              | 12             | 9            | 36"    | 82  | 1400           | 155                  | 116                    | 325        | 3500K |
| L36T8/835/11G-XT | 300mA              | 14             | 11           | 36"    | 82  | 1600           | 145                  | 115                    | 325        | 3500K |
| L36T8/835/11G-XT | 360mA              | 16             | 13           | 36"    | 82  | 1900           | 146                  | 118                    | 325        | 3500K |

## Wiring Diagram





### Dlc Information

| Order Code       | Lamp Input Current | DLC Product ID | DLC Product Model     | DLC Version |
|------------------|--------------------|----------------|-----------------------|-------------|
| L36T8/835/11G-XT | 250mA              | N/A            | N/A                   | N/A         |
| L36T8/835/11G-XT | 300mA              | PBDL9R2C       | L36T8/835/11G-XT 2C N | 5           |
| L36T8/835/11G-XT | 360mA              | P42NNPJ6       | L36T8/835/11G-XT 2C H | 5           |

Specification data is based on tests performed in a controlled environment and represents relative performance. Actual performance can vary depending on operating conditions. Application and performance data subject to change without notice. All specifications are nominal unless noted otherwise.