

# CoreTech CRI80 Type C Lamp

Commercial Grade LED Lamp

### Features & Benefits

- Advanced dimming with Pro-DIM technology: 0-10V and/or AB dimming
- No Polarity: lamp ends can be reversed
- Same wiring as fluorescent lamp/ballast system
- UL 1598C for safety
- Full glass as fluorescent T8
- Smooth, Consistent Light
- Suitable for Dry and Damp Locations
- High CRI
- Instant on
- 50,000 hours with no limitation on On/Off Cycles
- Evaluated for use in totally enclosed, recessed luminaires, surface mount wall and ceiling luminaires, outdoor luminaires (open surface mount luminaires with compartment protection from weather)
- For use with Class 2 driver only
- 5 Year Warranty



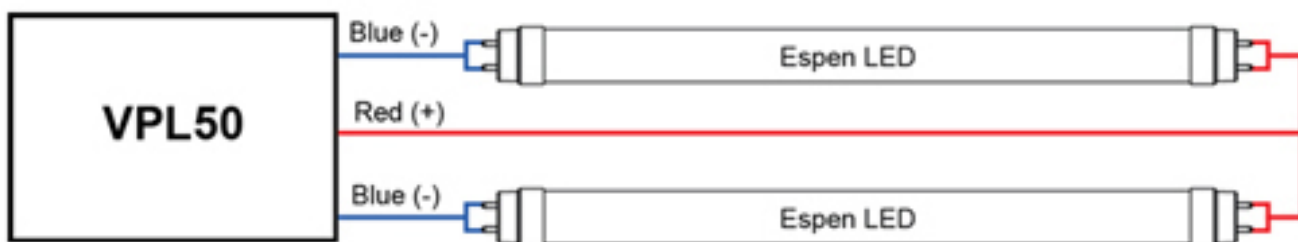
### Product Certification

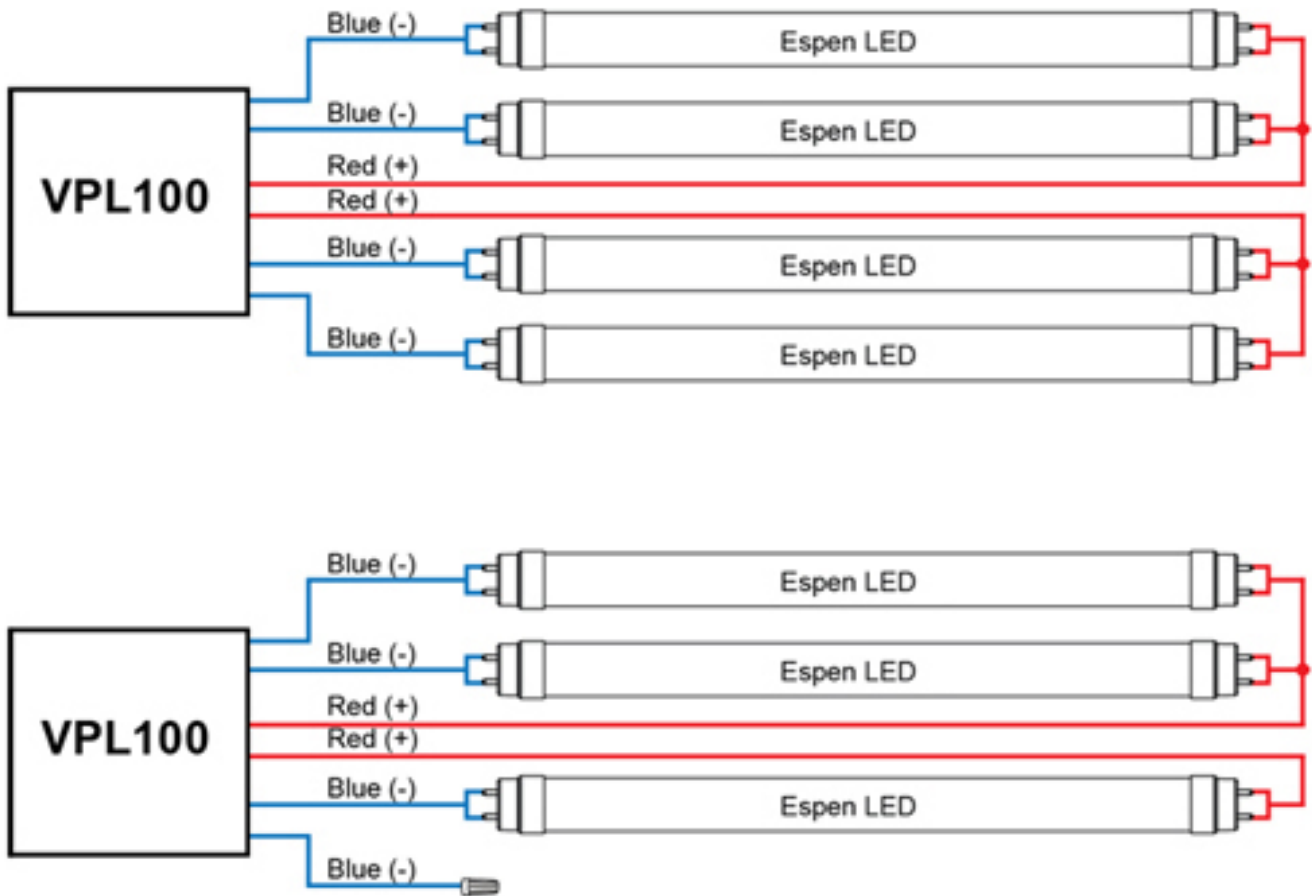


## Specification Data

Model	Lamp Input Current	System Wattage	Lamp Wattage	Length	CRI	Initial Lumens	Lamp Efficacy (lm/W)	System Efficacy (lm/W)	Beam Angle	CCT
L48T8/850/15G-XT	250mA	11.4	10	48"	82	1650	165	150	325	5000K
L48T8/850/15G-XT	300mA	15	12	48"	82	1800	150	120	325	5000K
L48T8/850/15G-XT	360mA	18	15	48"	82	2200	146	122	325	5000K

## Wiring Diagram





### Dlc Information

Order Code	Lamp Input Current	DLC Product ID	DLC Product Model	DLC Version
L48T8/850/15G-XT	250mA	PAOVWUXC	L48T8/850/15G-XT (2L)	5.1
L48T8/850/15G-XT	300mA	PPV6BJSU	L48T8/850/15G-XT N	5
L48T8/850/15G-XT	360mA	P6WG8KY8	L48T8/850/15G-XT H	5

Specification data is based on tests performed in a controlled environment and represents relative performance. Actual performance can vary depending on operating conditions. Application and performance data subject to change without notice. All specifications are nominal unless noted otherwise.