



VPL50-2C-030/036	
1Driver Type	Constant Current Field Adjustable LED Driver
No. of Channels	2
Input Voltage	120-277 V
Input Frequency	50-60 Hz
Dimming	0-10V

- Features**
- Universal Voltage (120-277V)
 - Multiple Output Channels
 - Constant Current
 - Per channel 300mA / 360mA
 - 0-10V
 - Integrates with Adaptive Lighting Control Systems
 - Compatible with LED modules and Coretech LED tubes
 - UL, cUL, UL8750 Class 2
 - FCC Part 15 Class A

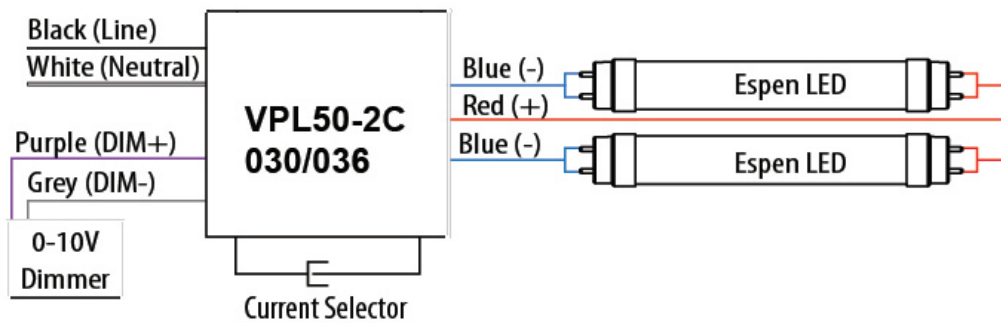


CoreTech VPL
PRODUCT SPECIFICATIONS

OUTPUT	
No. of Channels	1 2
No. of Coretech LED Lamps	1 2
Output Voltage (Range)	20-46VDC
Output Current Range (Programmable @ full load)	300mA / 360mA
Total Rated Power	33W

INPUT	
Frequency	50-60Hz
Input Voltage (range)	120-277 VAC
Power Factor (min.)	0.9 @ full load 277VAC
THD (max.)	20% @ full load 110AC
Efficiency (typical)	0.85

Wiring diagram

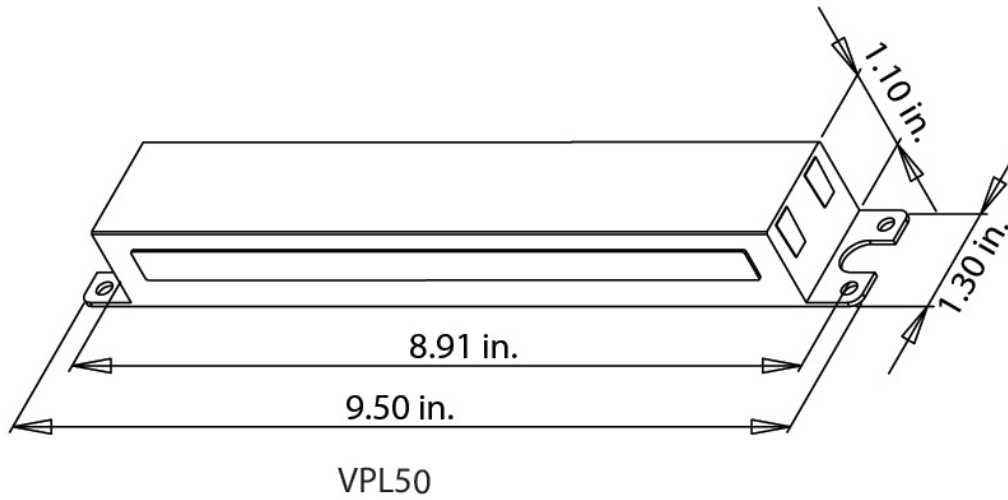


Current Selector Close = (300mA)



Current Selector Open = (360mA)

Dimension



Specification data is based on tests performed in a controlled environment and represents relative performance. Actual performance can vary depending on operating conditions. Application and performance data subject to change without notice. All specifications are nominal unless noted otherwise.

Espen Technology, Inc. | 12257 Florence Avenue | Santa Fe Springs, CA 90670 | Phone: (562) 529-2938 | Fax: (562) 529-2978
Toll Free: (866) 933-7736 | Email: info@espentech.com | www.espentech.com