



| VPL100-4C-030/036 | |
|-------------------|--|
| 1Driver Type | Constant Current Field Adjustable LED Driver |
| No. of Channels | 4 |
| Input Voltage | 120-277 V |
| Input Frequency | 50-60 Hz |
| Dimming | 0-10V |

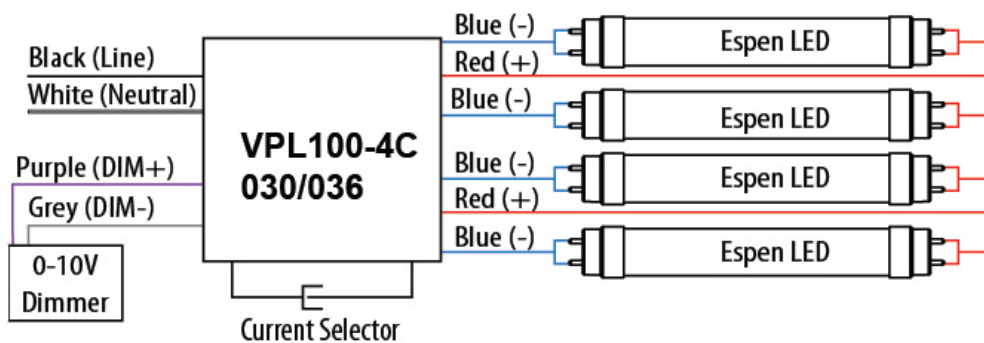
- Features**
- Universal Voltage (120-277V)
 - Multiple Output Channels
 - Constant Current
 - Per channel 300mA / 360mA
 - 0-10V
 - Integrates with Adaptive Lighting Control Systems
 - Compatible with LED modules and Coretech LED tubes
 - UL, cUL, UL8750 Class 2
 - FCC Part 15 Class A



CoreTech VPL
PRODUCT SPECIFICATIONS

| OUTPUT | | INPUT | |
|---|---------------|-----------------------|------------------------|
| No. of Channels | 3 4 | Frequency | 50-60Hz |
| No. of Coretech LED Lamps | 3 4 | Input Voltage (range) | 120-277 VAC |
| Output Voltage (Range) | 20-46VDC | Power Factor (min.) | 0.9 @ full load 277VAC |
| Output Current Range (Programmable @ full load) | 300mA / 360mA | THD (max.) | 20% @ full load 110AC |
| Total Rated Power | 66W | Efficiency (typical) | 0.86 |

Wiring diagram

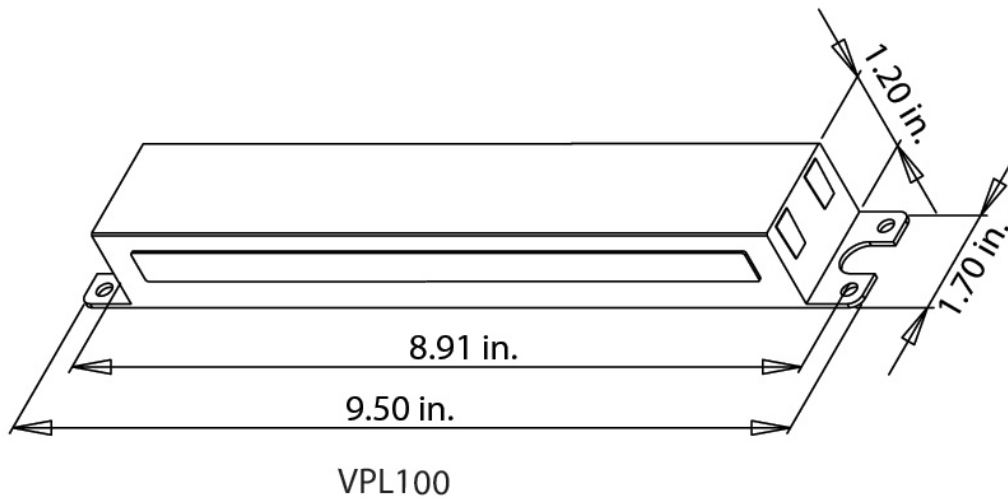


Current Selector Close = (300mA)



Current Selector Open = (360mA)

Dimension



Specification data is based on tests performed in a controlled environment and represents relative performance. Actual performance can vary depending on operating conditions. Application and performance data subject to change without notice. All specifications are nominal unless noted otherwise.

Espen Technology, Inc. | 12257 Florence Avenue | Santa Fe Springs, CA 90670 | Phone: (562) 529-2938 | Fax: (562) 529-2978
Toll Free: (866) 933-7736 | Email: info@espentech.com | www.espentech.com