

Linear T8

Commercial Grade LED T8 Lamp



Features & Benefits

- No rewiring needed
- Works with fluorescent electronic ballast (Instant Start, Programmed Start, and Dimming)*
- Long life
- High CRI
- Instant on, no delay
- Convenient and quick installation
- Utilizes existing instant start or rapid start sockets
- Compatible with controls and sensors
- Dimmable
- Works in cold temperature applications
- Glass tube for superior optical performance
- 5 Year Warranty



Product Certification

* EMERGENCY BALLAST RESTRICTIONS

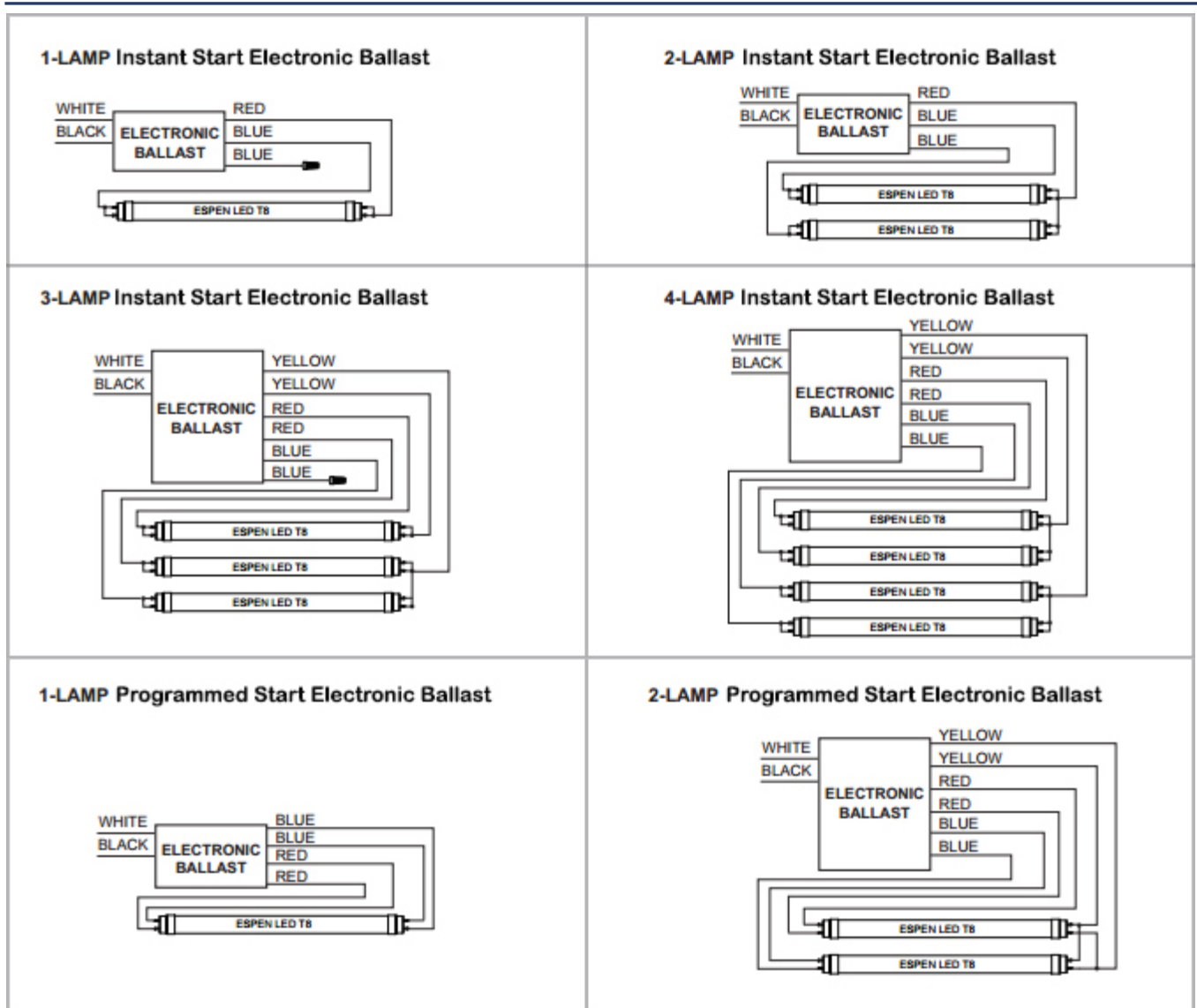
Specification

Order Code 1	Length	Lamp Wattage	System Wattage	CCT	Initial Lumens	CRI	Beam Angle	Lamp Efficacy	System Efficacy	Life
L48T8/830/10G-EB	48	10	12.5	3000K	1650	80+	325	165	132	50000
L48T8/835/10G-EB	48	10	13	3500K	1950	80+	325	195	150	50000
L48T8/840/10G-EB	48	10	13	4000K	1950	80+	325	195	150	50000
L48T8/850/10G-EB	48	10	13	5000K	1950	80+	325	195	150	50000

System Performance

Lamp Model	Low Ballast Factor				High Ballast Factor			
	Lamp Power	System Power	Lumen Output	Lamp Efficacy	Lamp Power	System Power	Lumen Output	Lamp Efficacy
L48T8/830/10G-EB	8	10	1300	165	15	17	2700	160
L48T8/835/10G-EB	8	10	1480	185	15	17	2900	170
L48T8/840/10G-EB	8	10	1480	185	15	17	2900	170
L48T8/850/10G-EB	8	10	1480	185	15	17	2900	170

Wiring Diagram



Dlc Information

Order Code	DLC Product ID	DLC Product Model	DLC Version
L48T8/830/10G-EB	PLO5G02NLYMO	L48T8/830/10G-EB	5
L48T8/835/10G-EB	PI030M9E	L48T8/835/10G-EB (-aa)	5.1
L48T8/840/10G-EB	PQ6K5G06	L48T8/840/10G-EB (-aa)	5.1
L48T8/850/10G-EB	P2K3Y8BK	L48T8/850/10G-EB (-aa)	5.1

* Please refer to "Ballast Compatibility List" for compatible battery backup and/or emergency ballasts.

* Please refer to "Ballast Compatibility List" on Related Downloads.

Specification data is based on tests performed in a controlled environment and represents relative performance. Actual performance can vary depending on operating conditions. Application and performance data subject to change without notice. All specifications are nominal unless noted otherwise.