



<b>CLD18WV/8T-ID</b>	
Std. Pack Qty.	24
Order Code	CLD18WV/8T-ID

PRODUCT SPECIFICATION

COMPACT LED RETROFIT BULB

---

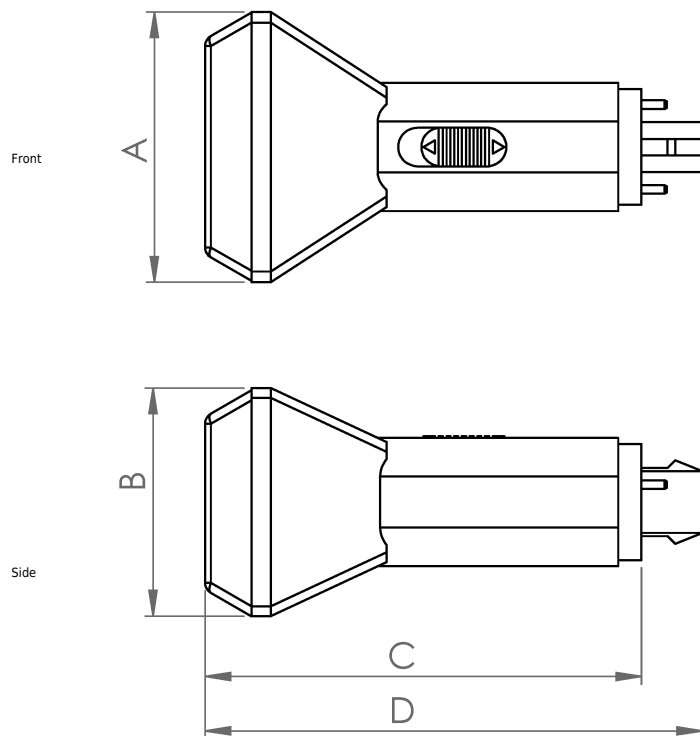
**GENERAL CHARACTERISTICS**

Lamp Type	Compact LED Retrofit Bulb
Voltage	<b>120-277V</b>
Base	G24q / G24d
Watts	<b>8.5W</b>
Rated Avg. Life (hrs)	50,000
Replacement	18W, 26W, 32W, 42W CFQ

**DIMENSIONS**

Overall Length (inches) (D)	<b>5.17</b>
Base Face to Top of Lamp (inches) (C)	<b>4.52</b>
Front (inches) (A)	<b>2.76</b>
Side (inches) (B)	<b>2.31</b>

Dimension Layout



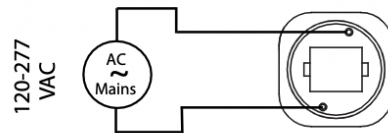
**PHOTOMETRIC CHARACTERISTICS**

Initial Lumens	<b>960/1020/1050</b>
Beam Angle	<b>120</b>
Color Temperature	<b>3000K/3500K/4000K Selectable</b>
Color Rendering Index (CRI)	<b>83</b>

**FEATURES**

- UL and cUL Listed for Safety
- No UV, No Mercury
- Quick Installation
- High Lumen
- Extended Life
- High Quality Color Rendering
- Five Year Limited Warranty

Wiring Diagram



**DLC Information**

Model No.	DLC Product ID	DLC Product Model	DLC Version
CLD18WV/8T-ID	N/A	N/A	N/A