

Features & Benefits

- Type A and B Lamp
- Internal driver for direct 120-277 VAc Input
- Double ended type B Input
- Works with fluorescent electronic ballast (Instant Start and Programmed Start)
- Long life
- High CRI
- Instant on, no delay
- Convenient and quick installation
- Utilizes existing instant start or rapid start sockets
- Works with dimming ballast
- Compatible with controls and sensors
- Works in cold temperature applications
- 5 Year Warranty



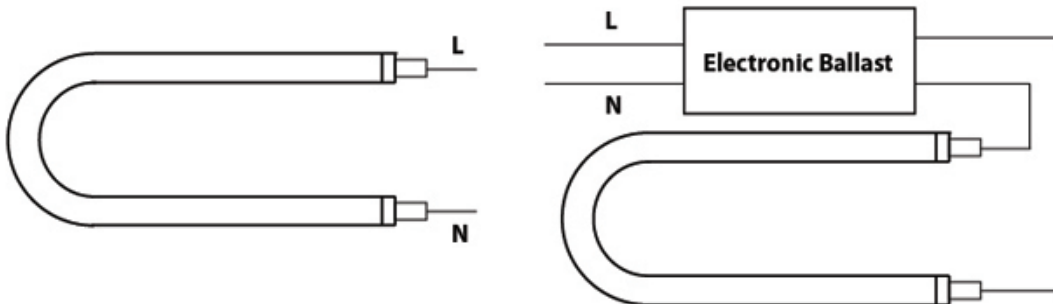
* EMERGENCY BALLAST RESTRICTIONS



UniFlex™
 Universal LED Linear Lamp
 Commercial Grade LED T8 Lamp

Specification Data

Order Code	Length	Power w/ Ballast	Input Voltage (Depend on Ballast)	CCT	Initial Lumens	CRI	Beam Angle	Lamp Efficacy Direct AC	System Efficacy w/ Ballast	Life	DLC
LB48T8U6/830/13P-AB	24	16	120/277V	3000K	1800	83	240	138	112	50,000	Yes
LB48T8U6/835/13P-AB	24	16	120/277V	3500K	1800	83	240	138	112	50,000	Yes
LB48T8U6/840/13P-AB	24	16	120/277V	4000K	1800	83	240	138	112	50,000	Yes
LB48T8U6/850/13P-AB	24	16	120/277V	5000K	1800	83	240	138	112	50,000	Yes



* [Please check ballast compatibility list before installation.](#)

Specification data is based on tests performed in a controlled environment and represents relative performance. Actual performance can vary depending on operating conditions. Application and performance data subject to change without notice. All specifications are nominal unless noted otherwise.