

# Channel Retrofit Kits

Commercial Grade LED Linear Retrofit Kits



## Product Certification

[\\*Emergency Driver Solution Option](#)

## Content

- VPL50-2C, Field-Adjustable Multi Channel Constant Current Driver
- (1) VLM4824F/HO/8XX Linear LED Module
- User Manual [versaLinear\\_kit\\_Installation\\_Guide\\_2021.10.7.pdf](#)

## Description

UL 1598C Classified LED retrofit kits with linear modules, for any linear applications such as troffer, wraparound, strips, etc.

## Features

- Driver + Module kits, no lamp socket needed
- Magnet on the back for easy installation
- UL 1598C Classified Retrofit Kits
- UL Class 2 Low Voltage System
- 3 Steps MacAdam Steps for Accurate Color
- Long life 50,000 hours
- 5 Years Warranty of Whole System
- Universal Input 120/277V
- 0-10V Dimming
- NSF 2 Complied with PC lens
- Aluminum backing for heatsink, independent to Fixtures
- True Multi Channel Operation
- Programmable with Multiple Light Levels
- Flicker-free, Meets IEEE 1798-2015

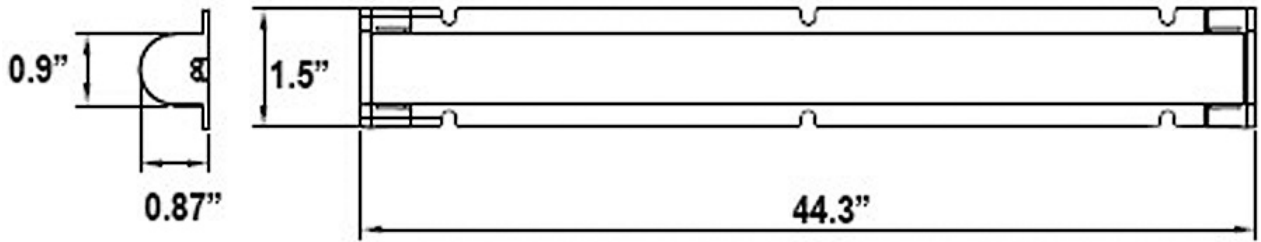
## Specification Data

Kit Order Code	Application	Mode	Kit Model	System Lumen	System Wattage	System Efficacy	CRI	Module	Driver	Power Factor	THD
VEKM-L41F/HO/850	1 lamp, 4ft HO 5000K		D546-1M-304 F/HO/850	3240	24	135	83	VLM4824F/HO/850	VPL50-2C	>0.9	<20%

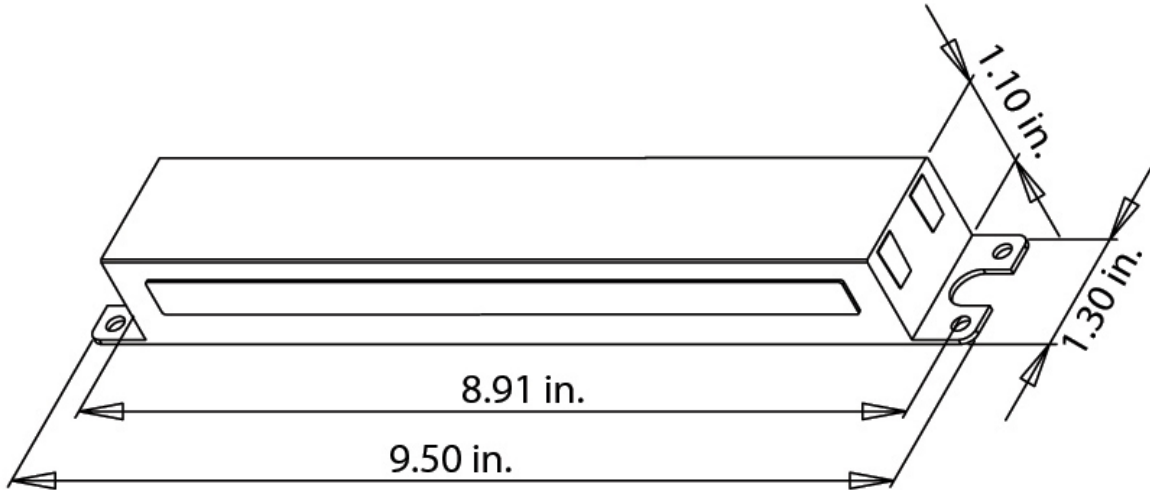
## Order Information

EXAMPLE: VEKM42F/HO/840							
VEKM	4	2	F	/	HO	/	8 40
<b>VersaLinear</b> Linear Retrofit Module Kit	<b>Module Length</b> 4 - 4ft 3 - 3ft 2 - 2ft	<b>Module Quantity</b> 1 - 1 Module 2 - 2 Modules 3 - 3 Modules 4 - 4 Modules	<b>Lens</b> F - Frosted C - Clear (No Lens)	/	<b>Output Mode</b> Empty - Normal Output HO - High Output VHO - Very High Output	/	<b>CRI</b> 8 - CRI > 80 <b>CCT</b> 30 - 3000K 35 - 3500K 40 - 4000K 50 - 5000K

## Module Dimensions

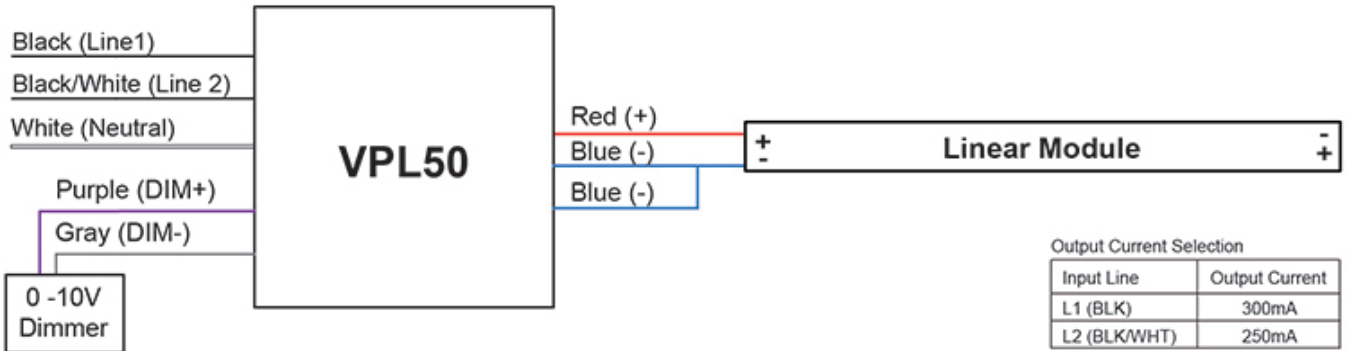


### Driver Dimensions



VPL50

### Wiring Diagram



### Dlc Information

Order Code	Mode	DLC Product ID	DLC Product Model	DLC Version
VEKM-L41F/HO/850		PIQUUOJ	D546-1M-304 F/HO/850	5

Specification data is based on tests performed in a controlled environment and represents relative performance. Actual performance can vary depending on operating conditions. Application and performance data subject to change without notice. All specifications are nominal unless noted otherwise.