

Channel Retrofit Kits

Commercial Grade LED Linear Retrofit Kits



Product Certification

[*Emergency Driver Solution Option](#)

Content

- VPL50-2C, Field-Adjustable Multi Channel Constant Current Driverr
- (2) VLM2409F/8XX Linear LED Module
- User Manual [versaLinear_kit_Installation_Guide_2021.10.7.pdf](#)

Description

UL 1598C Classified LED retrofit kits with linear modules, for any linear applications such as troffer, wraparound, strips, etc.

Features

- Driver + Module kits, no lamp socket needed
- Magnet on the back for easy installation
- UL 1598C Classified Retrofit Kits
- UL Class 2 Low Voltage System
- 3 Steps MacAdam Steps for Accurate Color
- Long life 50,000 hours
- 5 Years Warranty of Whole System
- Universal Input 120/277V
- 0-10V Dimming
- NSF 2 Complied with PC lens
- Aluminum backing for heatsink, independent to Fixtures
- True Multi Channel Operation
- Programmable with Multiple Light Levels
- Flicker-free, Meets IEEE 1798-2015

Specification Data

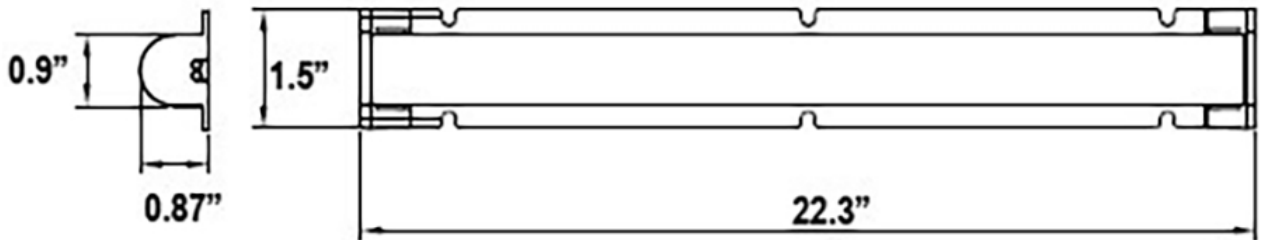
Kit Order Code	Application	Mode	Kit Model	System Lumen	System Wattage	System Efficacy	CRI	Module	Driver	Power Factor	THD
VEKM-L22F/840	2 lamp, 2ft 4000K	Low Wattage	D546-2M-302 F/840	1800	17	105	83	VLM2409F/840	VPL50-2C	>0.9	<20%
VEKM-L22F/840	2 lamp, 2ft 4000K	Normal Wattage	D546-2M-302 F/840	2100	20	105	83	VLM2409F/840	VPL50-2C	>0.9	<20%
VEKM-L22F/840	2 lamp, 2ft 4000K	High Wattage	D546-2M-302 F/840	2550	24	105	83	VLM2409F/840	VPL50-2C	>0.9	<20%

Order Information

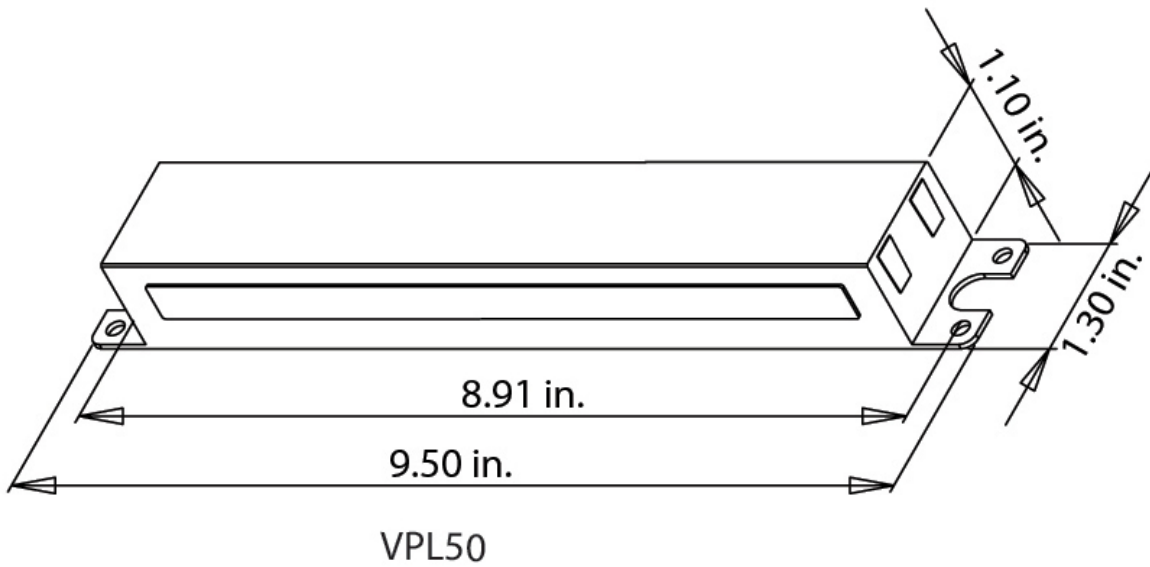
EXAMPLE: VEKM42F/HO/840

VEKM	4	2	F	/	HO	/	8	40
VersaLinear Linear Retrofit Module Kit	Module Length	Module Quantity	Lens		Output Mode	CCT		
	4 - 4ft	1 - 1 Module	F - Frosted		Empty -	30 -		
	3 - 3ft	2 - 2 Modules	C - Clear (No Lens)		Normal Output	35 -		
	2 - 2ft	3 - 3 Modules			HO - High Output	40 -		
		4 - 4 Modules			VHO - Very High Output	50 -		
						80		
						5000K		

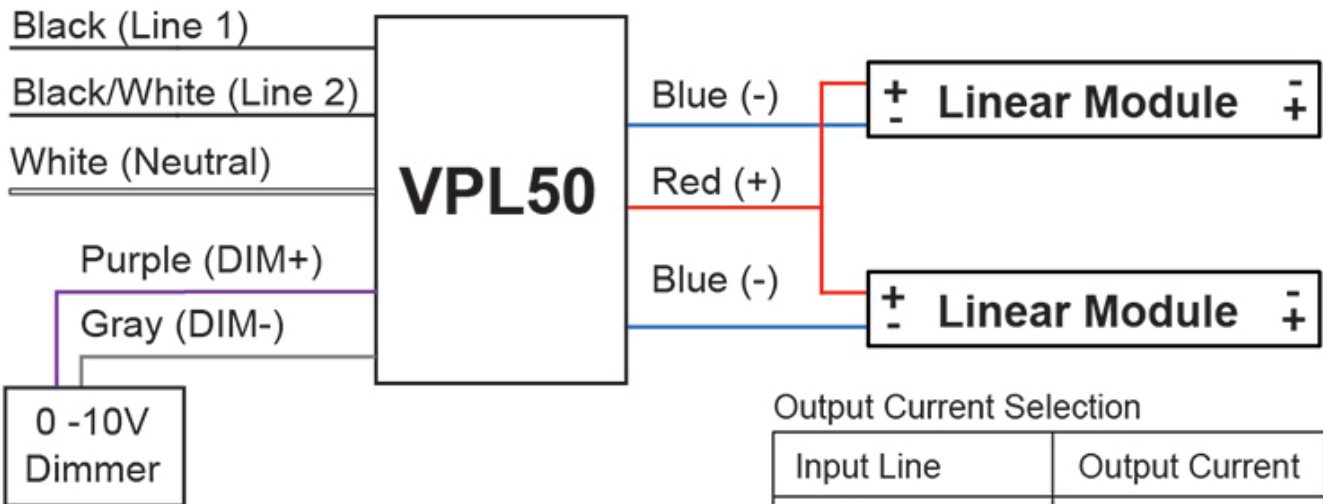
Module Dimensions



Driver Dimensions



Wiring Diagram



Output Current Selection

Input Line	Output Current
L1 (BLK)	300mA
L2 (BLK/WHT)	250mA
L1 + L2	360mA

Dlc Information

Order Code	Mode	DLC Product ID	DLC Product Model	DLC Version
VEKM-L22F/840	Low Wattage	N/A	N/A	N/A
VEKM-L22F/840	Normal Wattage	N/A	N/A	N/A
VEKM-L22F/840	High Wattage	N/A	N/A	N/A

Specification data is based on tests performed in a controlled environment and represents relative performance. Actual performance can vary depending on operating conditions. Application and performance data subject to change without notice. All specifications are nominal unless noted otherwise.