



VersaLinear™

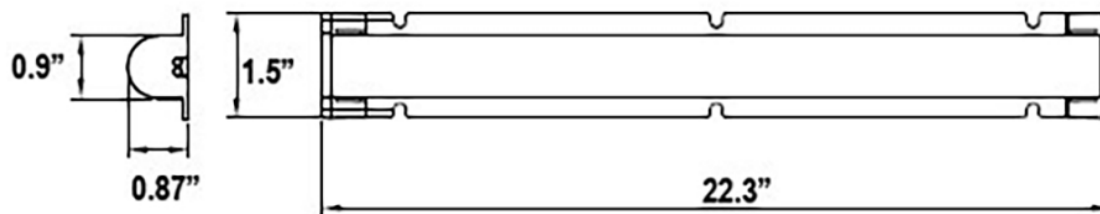
Commercial Grade
BAA/TAA Compliant LED Linear Retrofit Kits

Description		UL 1598C Classified LED retrofit kits with linear modules, for any linear applications such as troffer, wraparound, strips, etc.
Features		<ul style="list-style-type: none"> • Driver + Module kits, no lamp socket needed • Magnet on the back for easy installation • UL 1598C Classified Retrofit Kits • UL Class 2 Low Voltage System • 3 Steps MacAdam Steps for Accurate Color • Long life 50,000 hours • 5 Years Warranty of Whole System • Universal Input 120/277V • 0-10V Dimming • NSF 2 Complied with PC lens • Aluminum backing for heatsink, independent to Fixtures • True Multi Channel Operation • Programmable with Multiple Light Levels • Flicker-free, Meets IEEE 1798-2015
*Emergency Driver Solution Option		
Content		(1) VPL100-4C, Field-Adjustable Multi Channel Constant Current Driver (4) VLM2409F/8XX Linear LED Module User Manual versaLinear_kit_Installation_Guide_2021.10.7.pdf

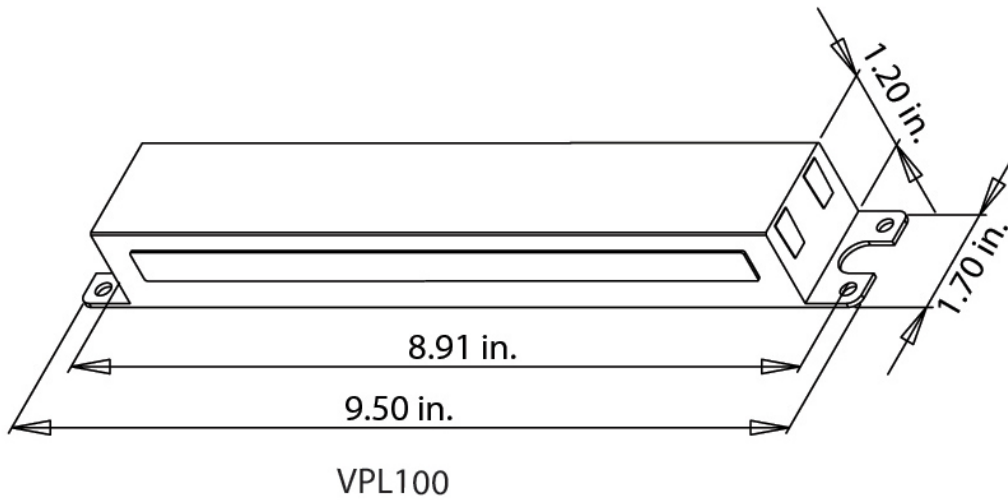
Specification Data

Kit Order Code	Application	Mode	Kit Model	System Lumen	System Wattage	System Efficacy	CRI	Module	Driver	Power Factor	THD
VEKM-L24F/835	4 lamp, 2ft 3500K	Low Wattage	D547-4M-302 F/835	3250	30	108	83	VLM2409F/835	VPL100-4C	>0.9	<20%
VEKM-L24F/835	4 lamp, 2ft 3500K	Normal Wattage	D547-4M-302 F/835	3900	36	108	83	VLM2409F/835	VPL100-4C	>0.9	<20%
VEKM-L24F/835	4 lamp, 2ft 3500K	High Wattage	D547-4M-302 F/835	4600	43	107	83	VLM2409F/835	VPL100-4C	>0.9	<20%
VEKM-L24F/835	4 lamp, 2ft 3500K	Low Wattage	D547-4M-302 F/835	3250	30	108	83	VLM2409F/835	VPL100-4C	>0.9	<20%
VEKM-L24F/835	4 lamp, 2ft 3500K	Normal Wattage	D547-4M-302 F/835	3900	36	108	83	VLM2409F/835	VPL100-4C	>0.9	<20%
VEKM-L24F/835	4 lamp, 2ft 3500K	High Wattage	D547-4M-302 F/835	4600	43	107	83	VLM2409F/835	VPL100-4C	>0.9	<20%

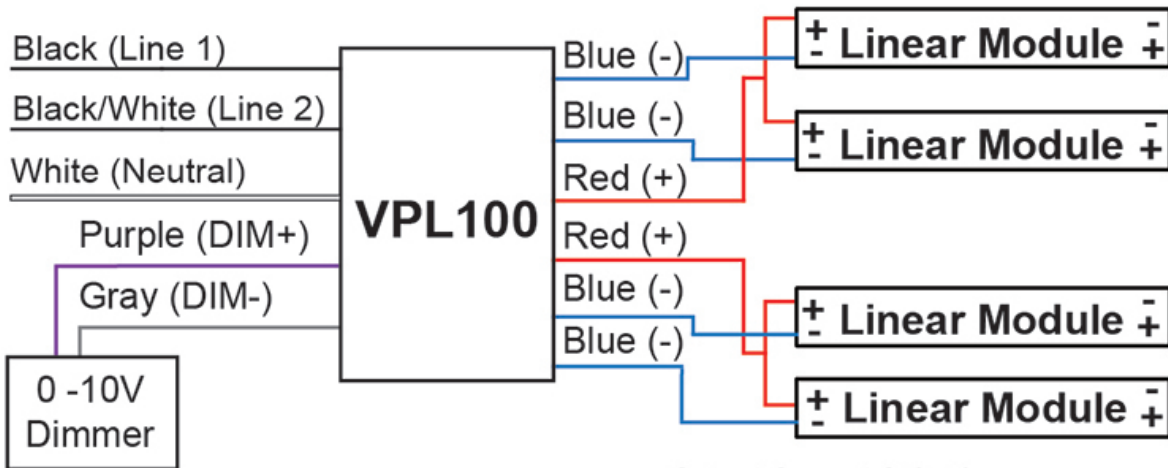
Module Dimensions



Driver Dimensions



Wiring Diagram



Output Current Selection

Input Line	Output Current
L1 (BLK)	300mA
L2 (BLK/WHT)	250mA
L1 + L2	360mA

Ordering Information

EXAMPLE: **VEKM42F/HO/840 BAA**

VEKM	4	2	F	/	HO	/	8	40	BAA
VersaLinear Linear Retrofit Module Kit	Module Length 4 - 4ft 3 - 3ft 2 - 2ft	Module Quantity 1 - 1 Module 2 - 2 Modules 3 - 3 Modules 4 - 4 Modules	Lens F - Frosted C - Clear (No Lens)		Output Mode Empty - Normal Output HO - High Output VHO - Very High Output		CRI 8 - CRI > 80	CCT 30 - 3000K 35 - 3500K 40 - 4000K 50 - 5000K	COO BAA TAA

Specification data is based on tests performed in a controlled environment and represents relative performance. Actual performance can vary depending on operating conditions. Application and performance data subject to change without notice. All specifications are nominal unless noted otherwise.

DLC Information

Order Code	DLC Product ID	DLC Product Model	DLC Version
VEKM-L24F/835	N/A	N/A	N/A
VEKM-L24F/835	N/A	N/A	N/A
VEKM-L24F/835	N/A	N/A	N/A
VEKM-L24F/835	N/A	N/A	N/A
VEKM-L24F/835	N/A	N/A	N/A
VEKM-L24F/835	N/A	N/A	N/A